

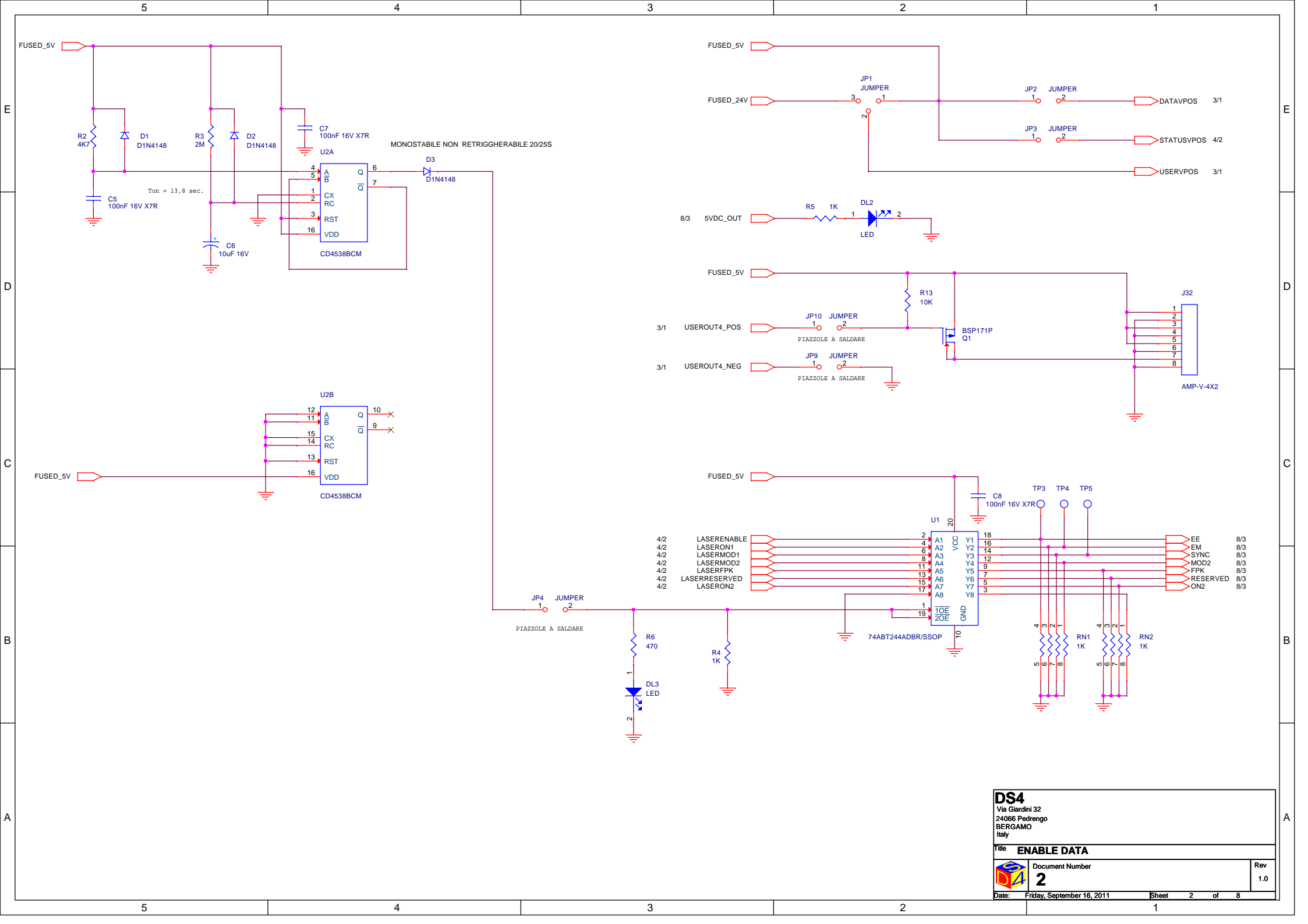
DS4
Via Giardini 32
24066 Pedrengo
BERGAMO
Italy

Title: **SYSTEM POWER**

Document Number: **1**

Rev: 1.0

Date: Friday, September 16, 2011 Sheet 1 of 8



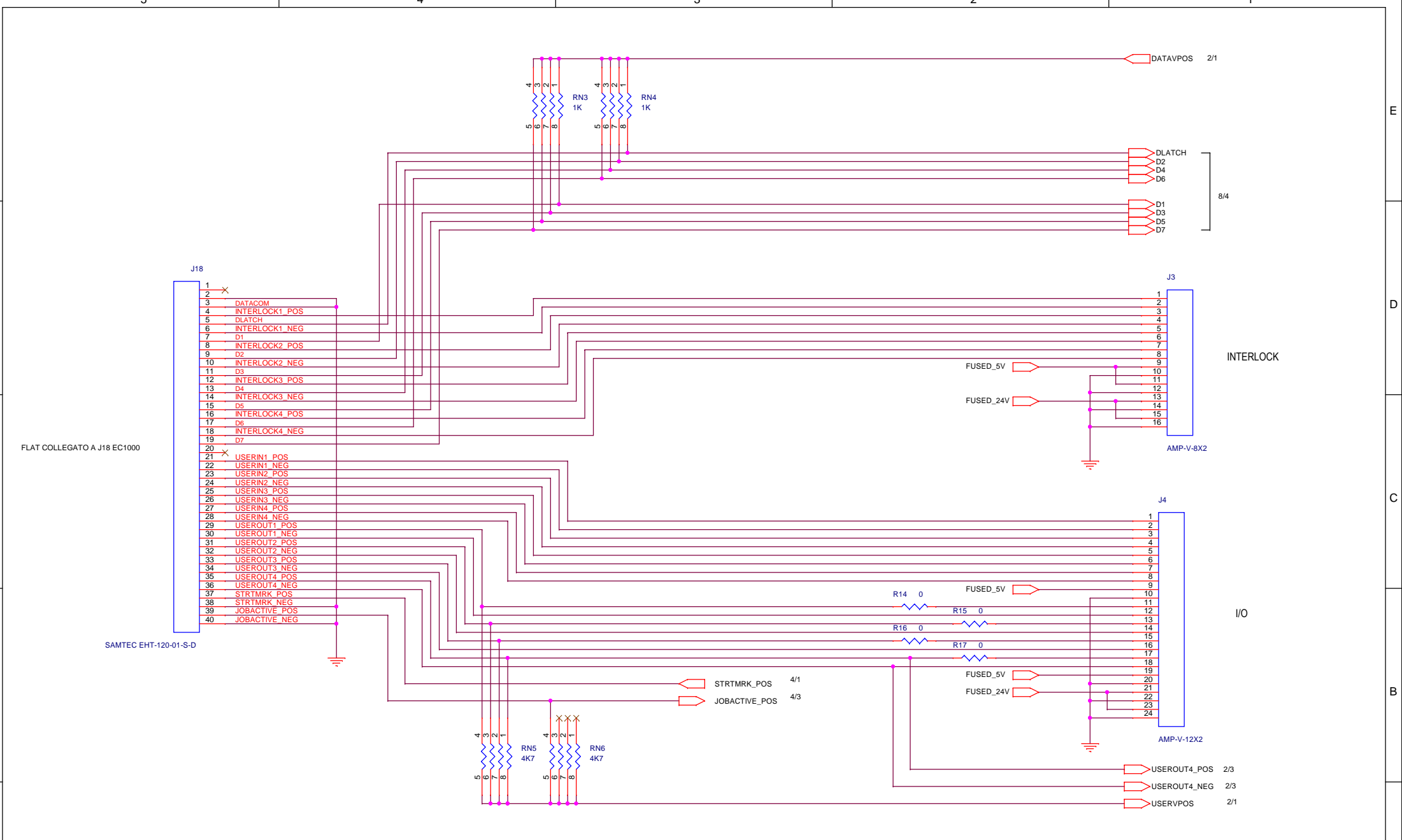
DS4
 Via Giardini 32
 24066 Pedrengo
 BERGAMO
 Italy

Title: **ENABLE DATA**

Document Number: **2**


Rev: 1.0

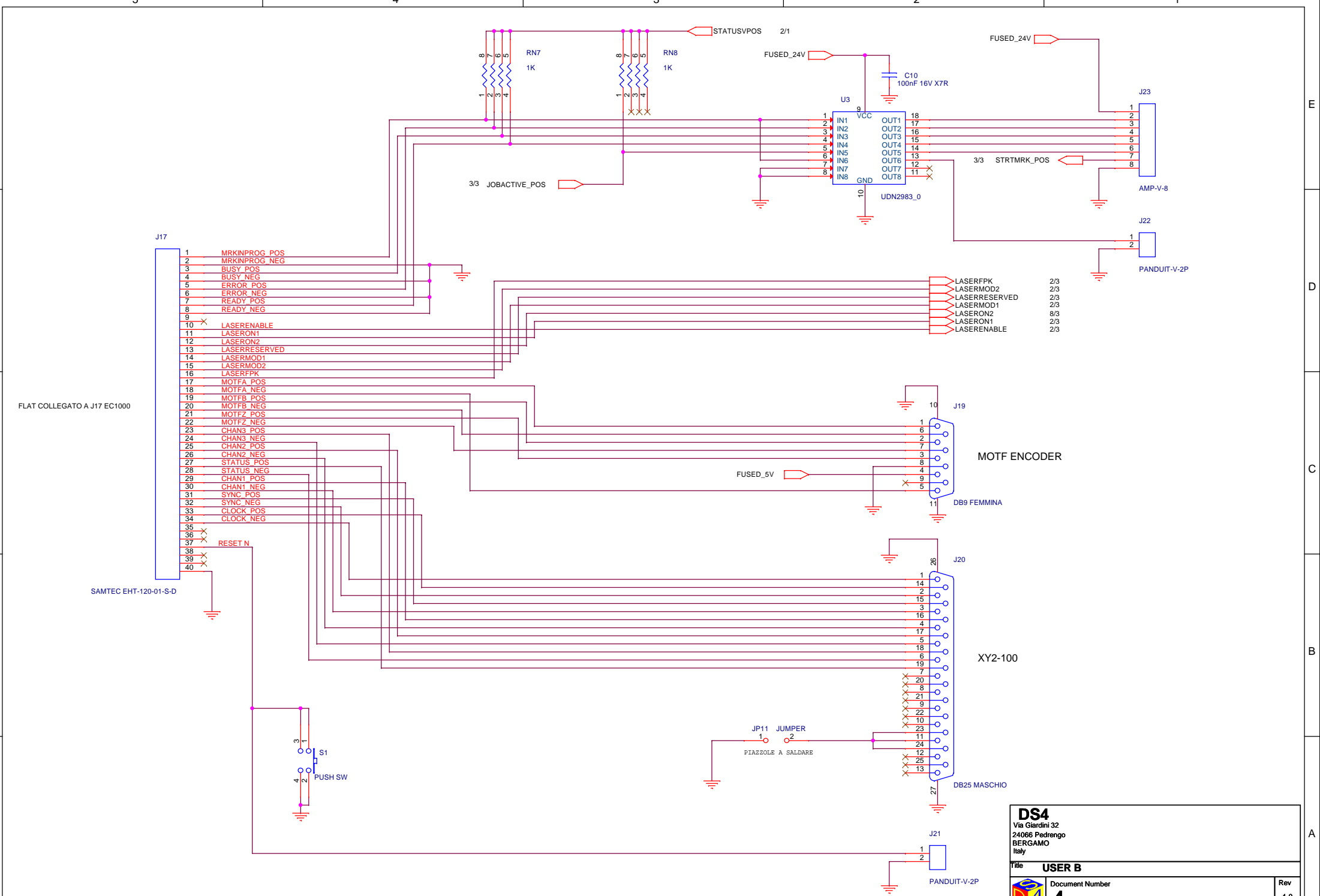
Date: Friday, September 16, 2011 Sheet 2 of 8



FLAT COLLEGATO A J18 EC1000


SAMTEC EHT-120-01-S-D

DS4 Via Giardini 32 24066 Pedrengo BERGAMO Italy		
Title USER A		
	Document Number 3	Rev 1.0
Date: Friday, September 16, 2011	Sheet 3 of 8	

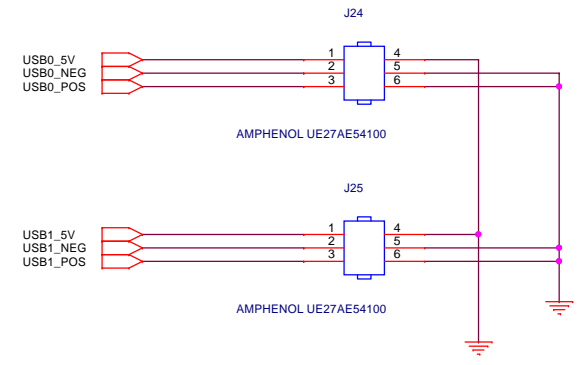
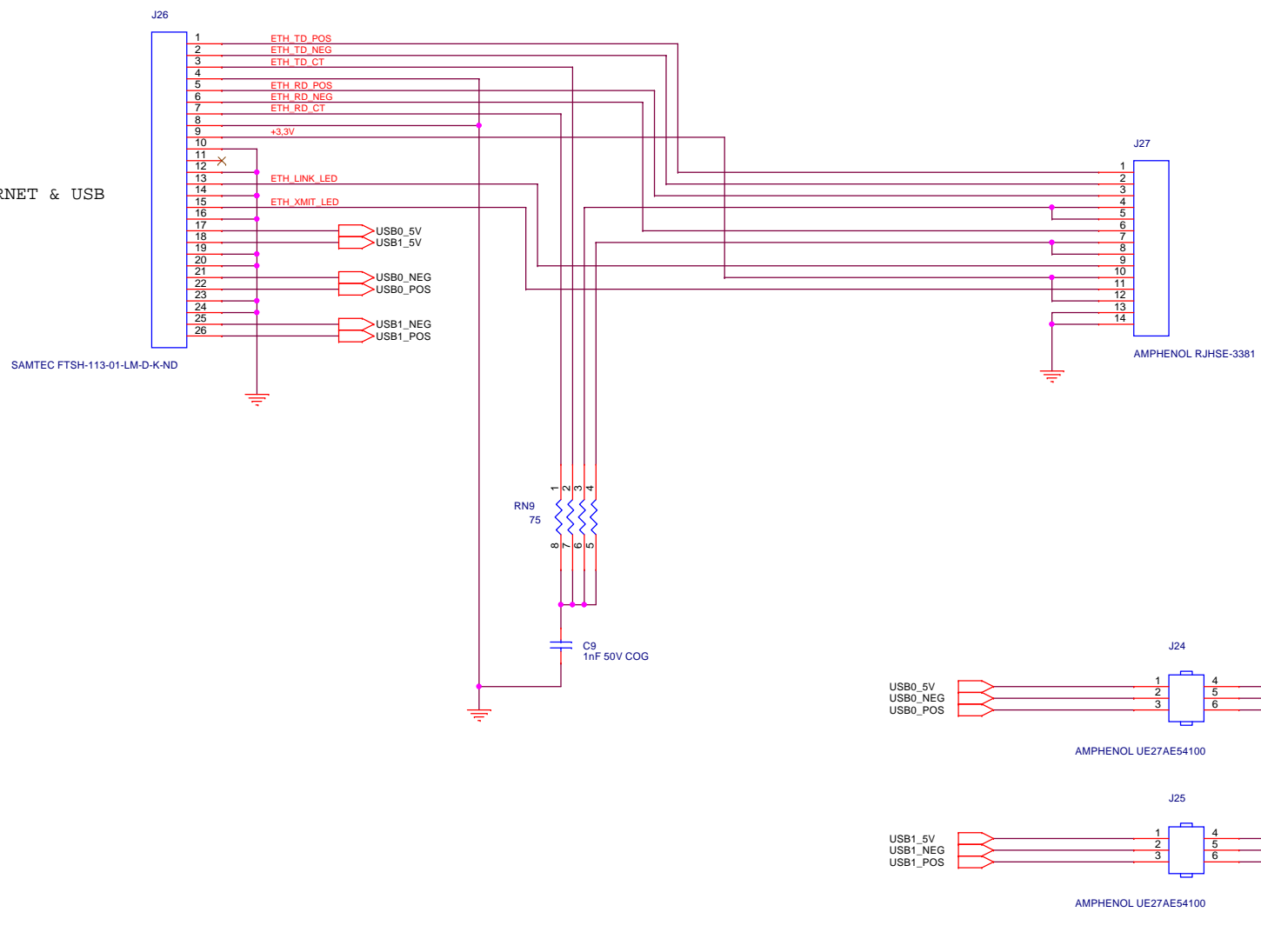


FLAT COLLEGATO A J17 EC1000

SAMTEC EHT-120-01-S-D

DS4 Via Giardini 32 24066 Pedrengo BERGAMO Italy		
Title USER B		
	Document Number 4	Rev 1.0
Date: Friday, September 16, 2011 Sheet 4 of 8		

EC1000 ETHERNET & USB



DS4
Via Giardini 32
24066 Pedrengo
BERGAMO
Italy

Title: **ETHERNET - USB**

Document Number: **5**

Rev: 1.0

Date: Friday, September 16, 2011

Sheet 5 of 8

E

E

D

D

C

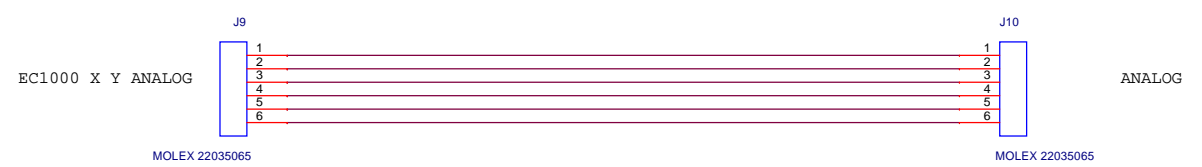
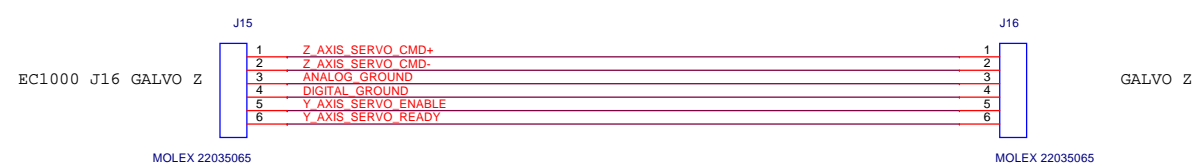
C

B

B

A

A



DS4
Via Giardini 32
24066 Pedrengo
BERGAMO
Italy

Title **GALVO**

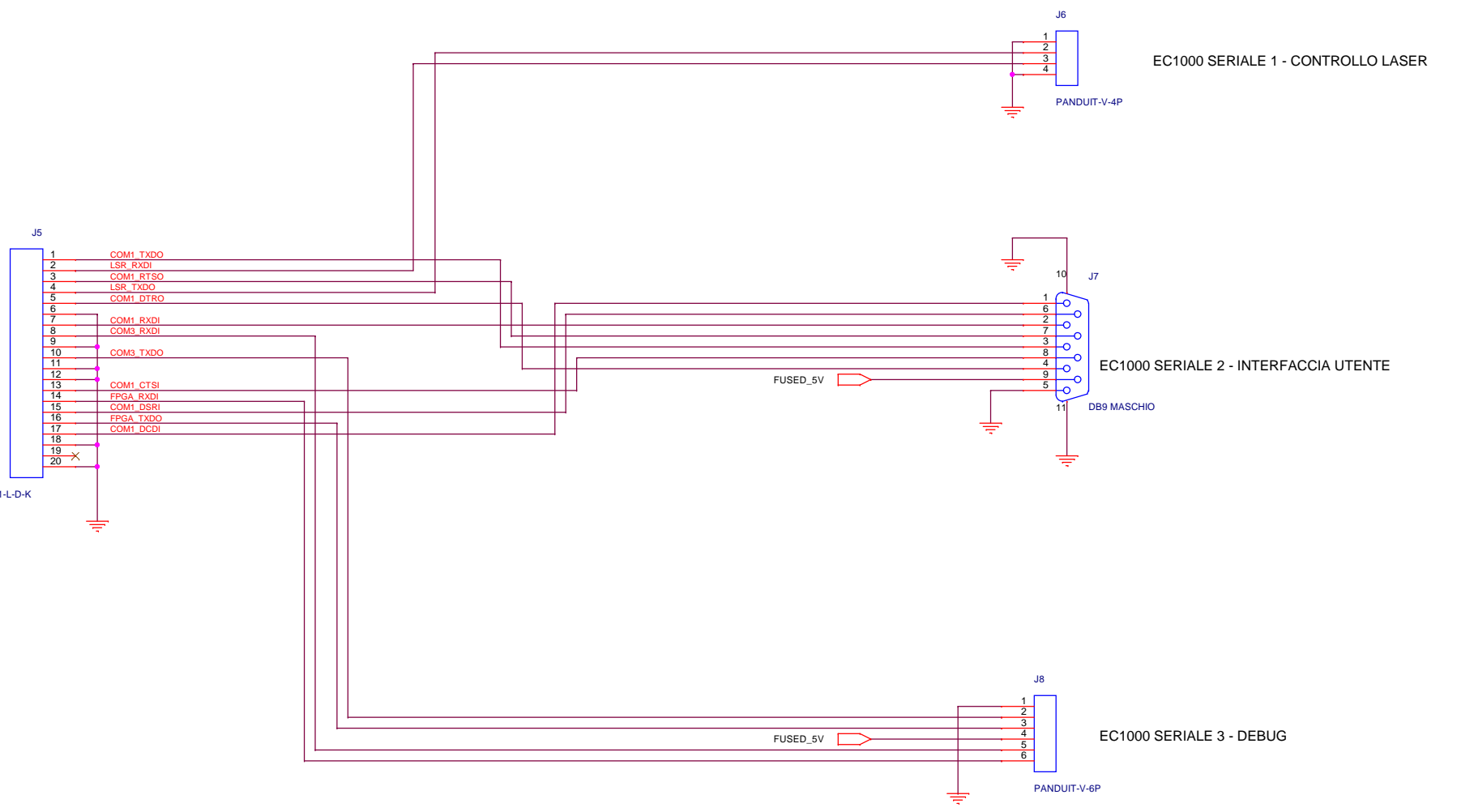
Document Number **6**

Rev 1.0

Date: Friday, September 16, 2011 Sheet 6 of 8

FLAT COLLEGATO A J12 EC1000

SAMTEC FTSH-110-01-L-D-K



DS4
Via Giardini 32
24066 Pedrengo
BERGAMO
Italy

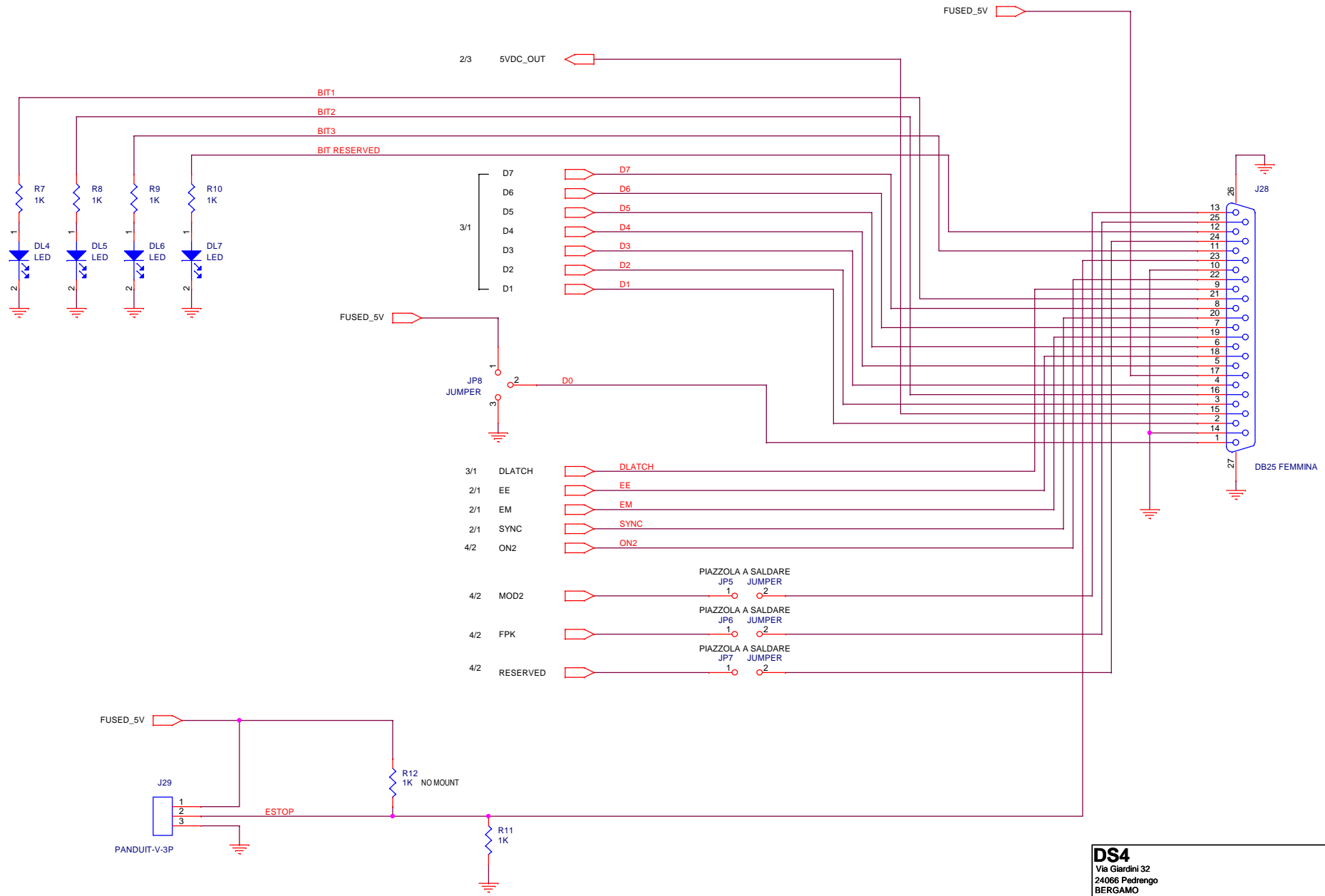
Title **SERIALE**

Document Number **7**

Rev 1.0

Date: Friday, September 16, 2011 Sheet 7 of 8

IPG FIBER LASER



DS4 Via Giardini 32 24066 Pedrengo BERGAMO Italy	
Title IPG FIBER LASER	
Document Number 8	Rev 1.0
Date: Friday, September 16, 2011	Sheet 8 of 8