

DS4
Via Giardini 32
24066 Pedrengo
BERGAMO
Italy

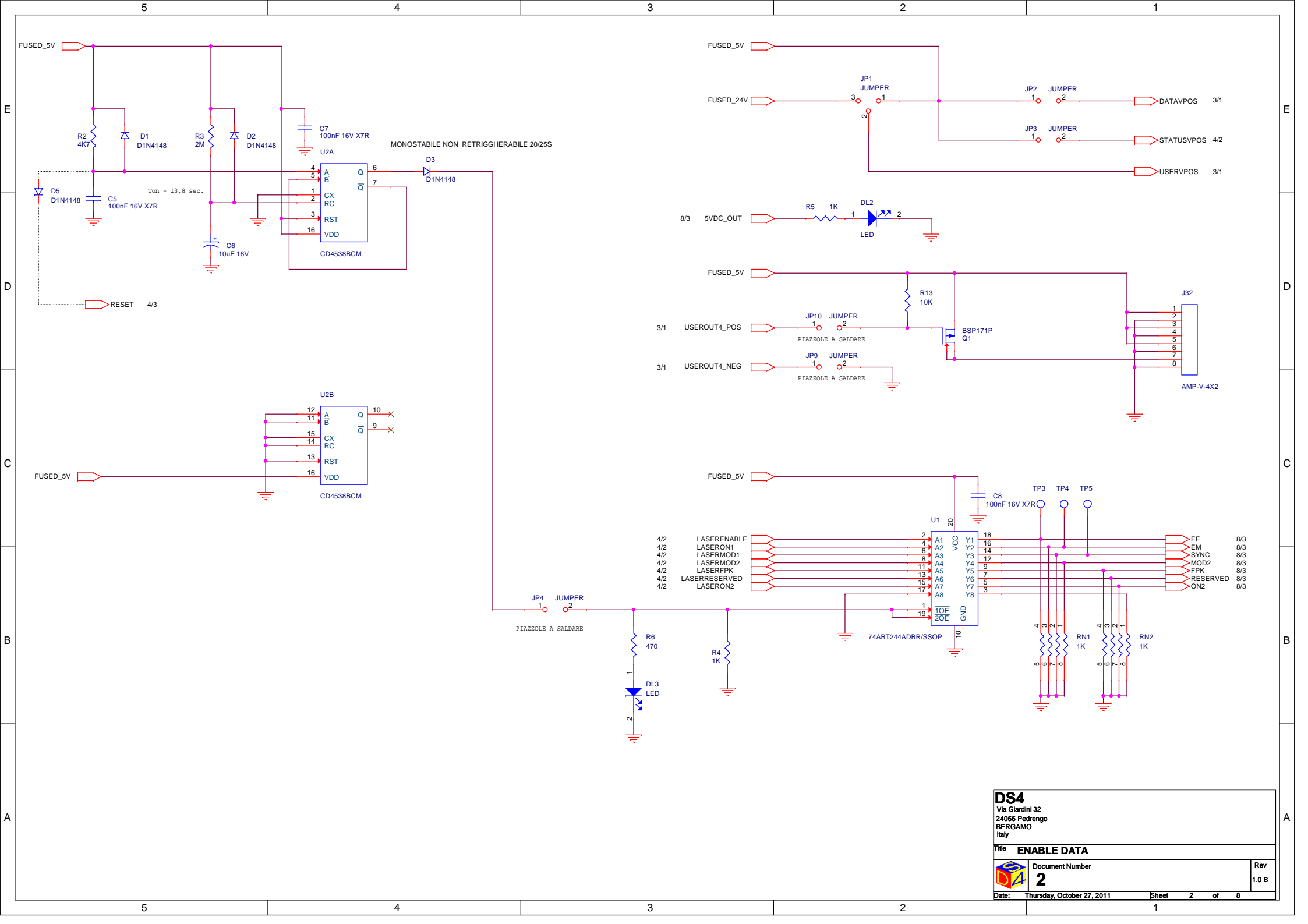
Title: **SYSTEM POWER**

Document Number: **1**

Date: Thursday, October 27, 2011

Sheet 1 of 8

Rev 1.0 B



DS4
Via Giardini 32
24066 Pedrengo
BERGAMO
Italy

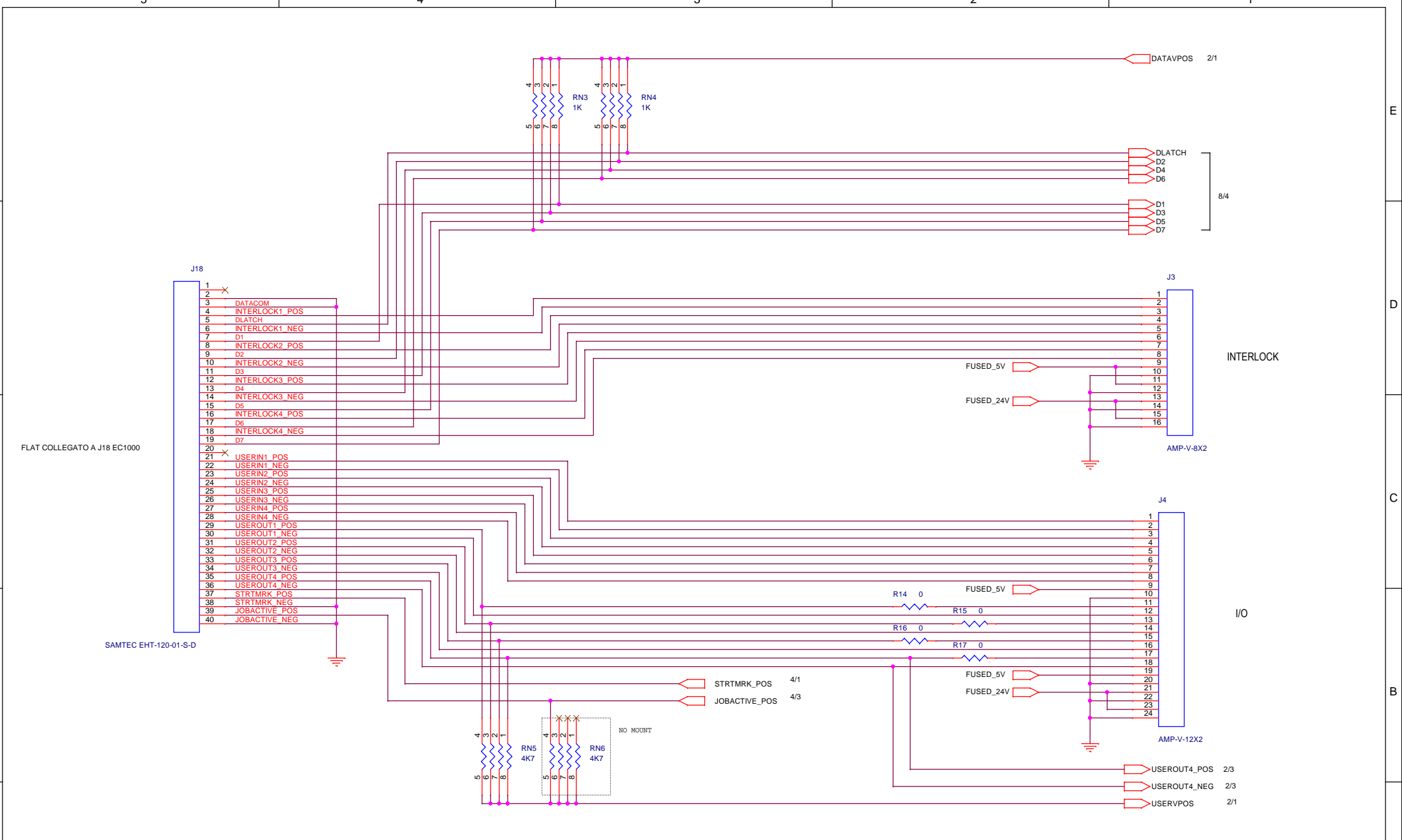
Title: **ENABLE DATA**

Document Number: **2**

Rev: **1.0 B**


Date: Thursday, October 27, 2011

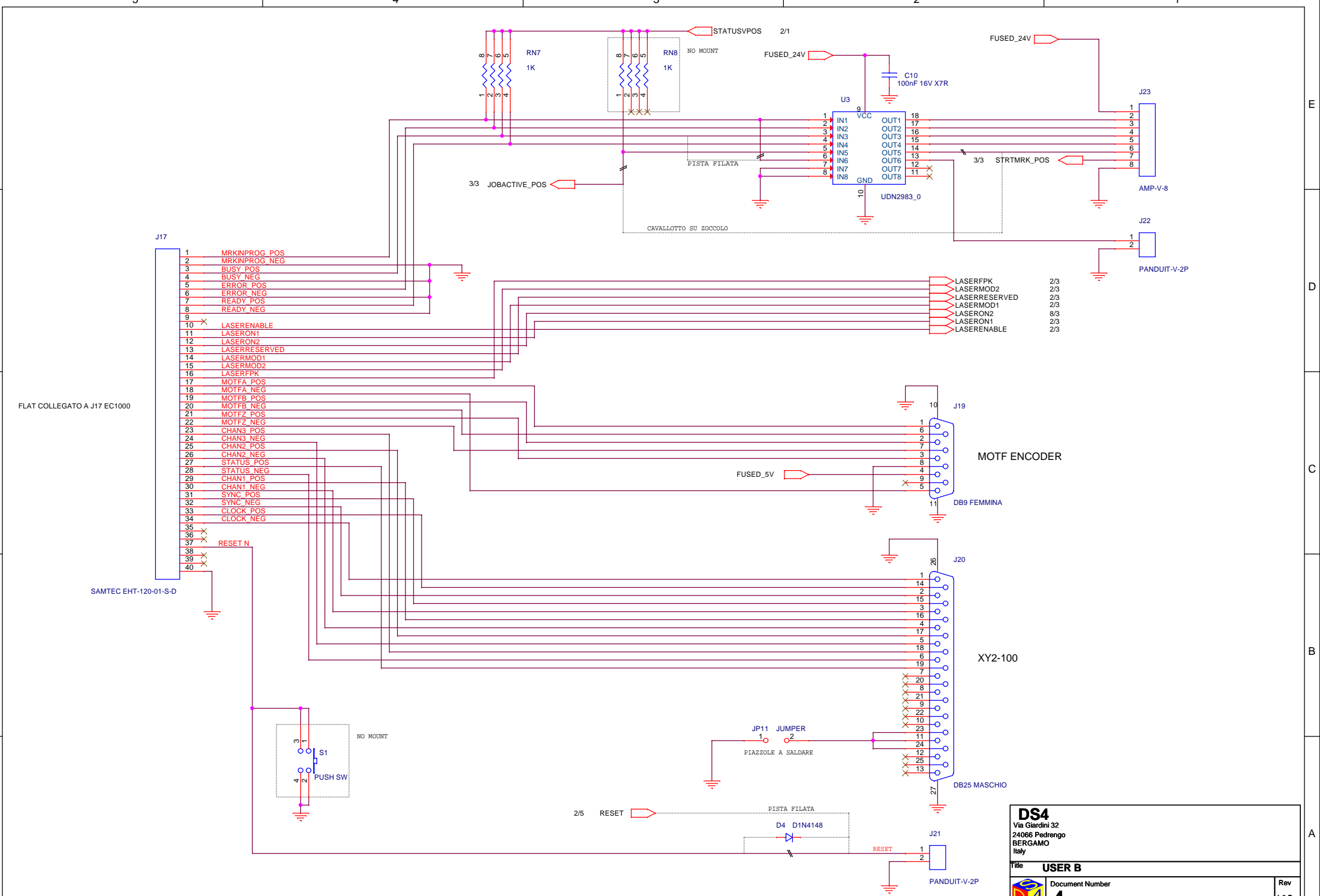
Sheet: 2 of 8



FLAT COLLEGATO A J18 EC1000


SAMTEC EHT-120-01-S-D

DS4 Via Giardini 32 24066 Pedrengo BERGAMO Italy		
Title USER A		
	Document Number 3	Rev 1.0 B
Date: Thursday, October 27, 2011	Sheet 3 of 8	

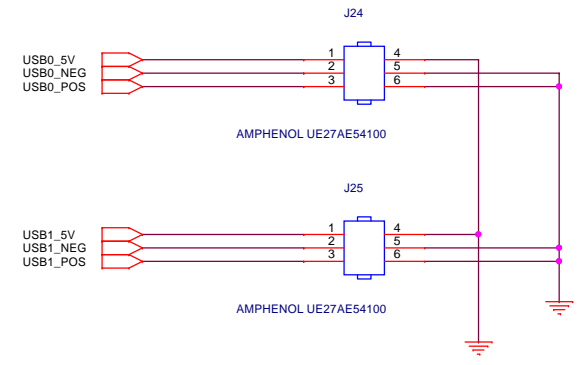
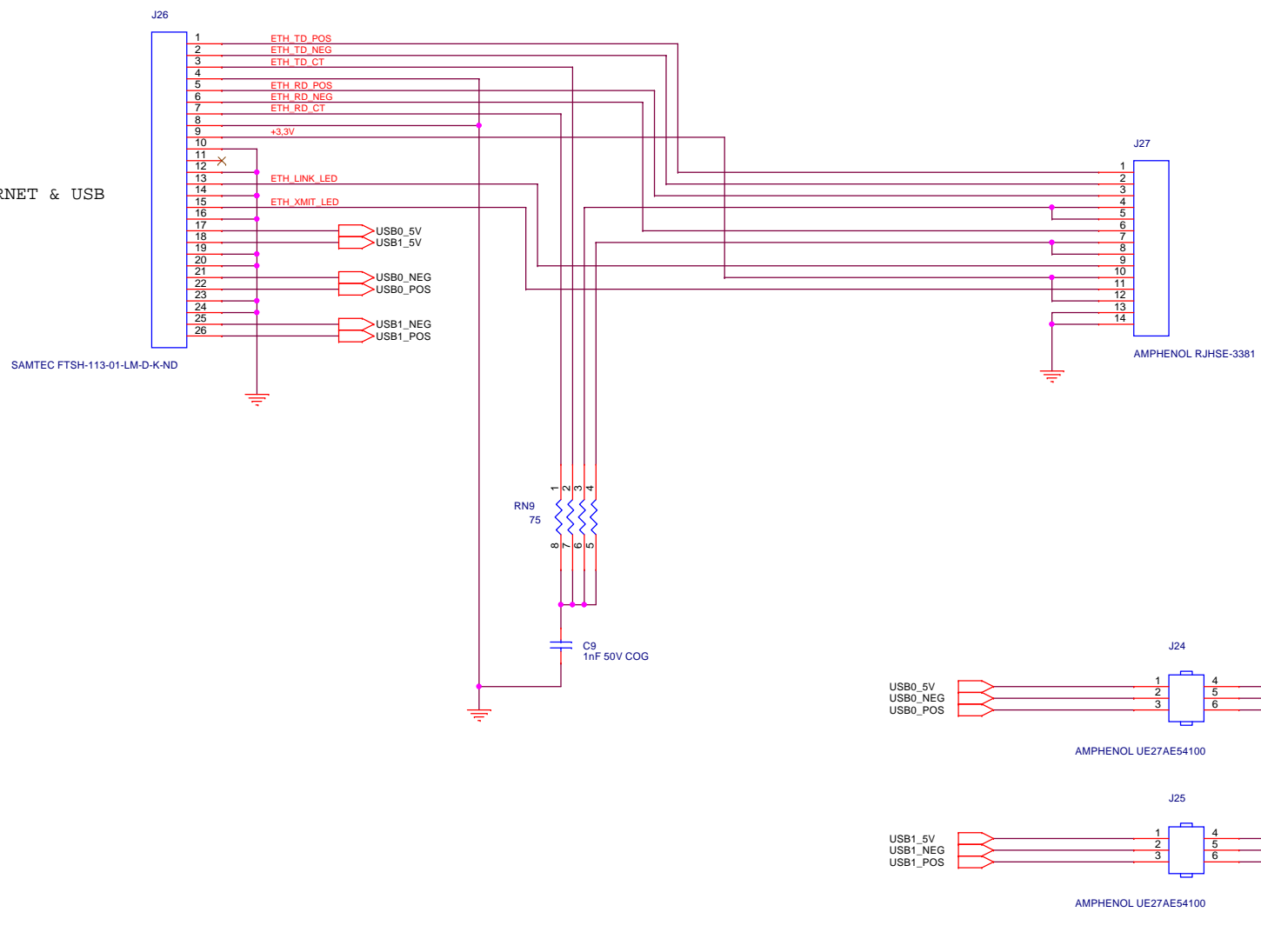


FLAT COLLEGATO A J17 EC1000

SAMTEC EHT-120-01-S-D

DS4 Via Giardini 32 24066 Pedrengo BERGAMO Italy		
File USER B		
	Document Number 4	Rev 1.0 B
Date: Thursday, October 27, 2011	Sheet 4 of 8	

EC1000 ETHERNET & USB



DS4
 Via Giardini 32
 24066 Pedrengo
 BERGAMO
 Italy

Title: **ETHERNET - USB**

Document Number: **5**

Rev: **1.0 B**

Date: Thursday, October 27, 2011

Sheet 5 of 8

E

E

D

D

C

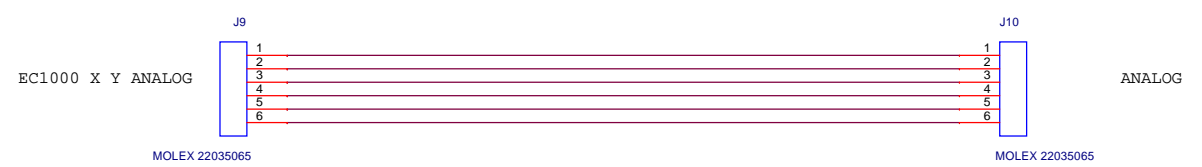
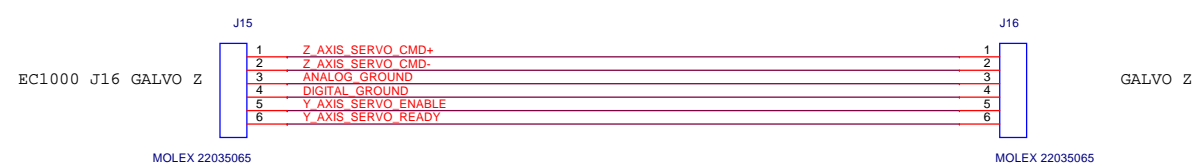
C

B

B

A

A



DS4
Via Giardini 32
24066 Pedrengo
BERGAMO
Italy

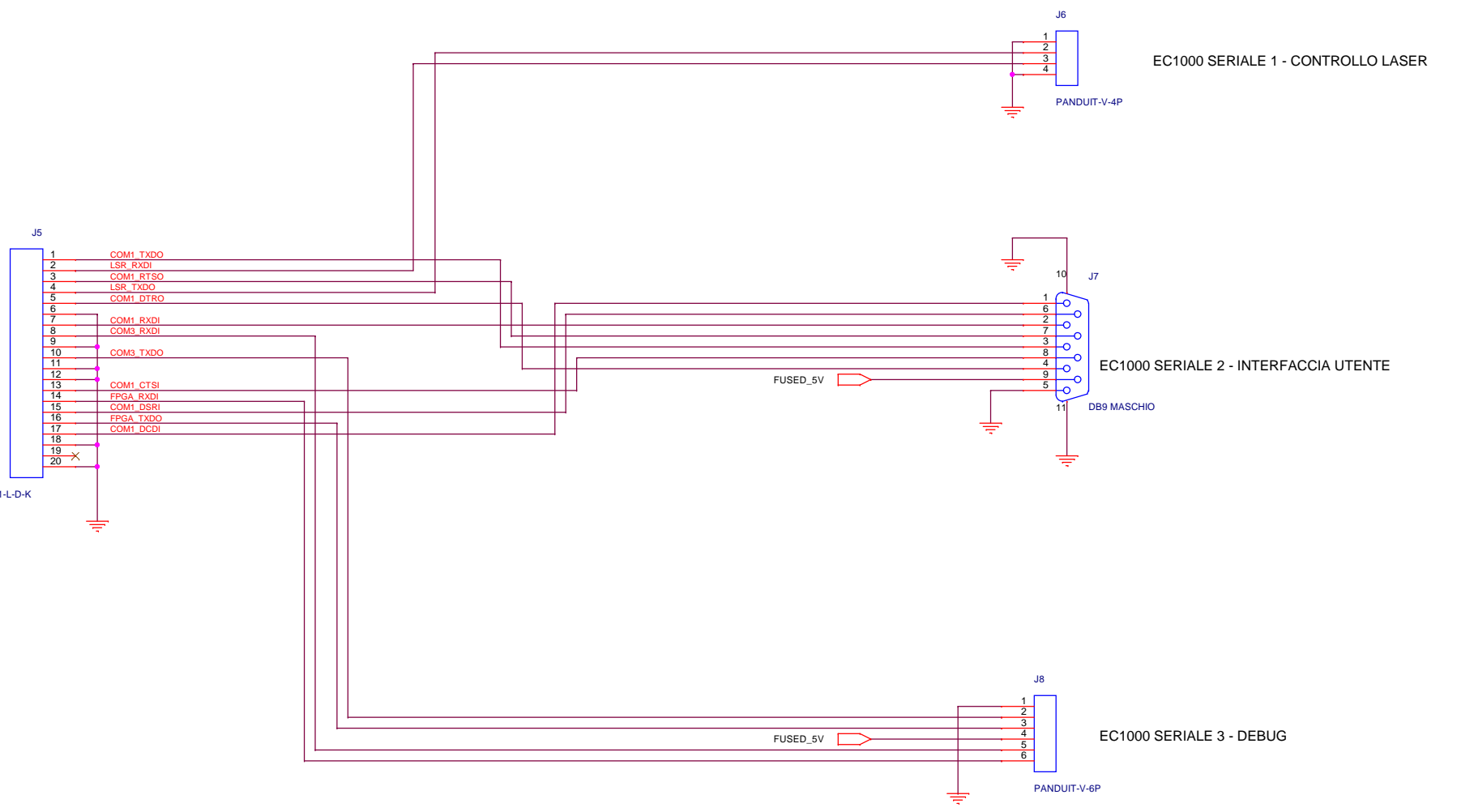
Title: **GALVO**

	Document Number	Rev
	6	1.0 B

Date: Thursday, October 27, 2011 Sheet 6 of 8

FLAT COLLEGATO A J12 EC1000

SAMTEC FTSH-110-01-L-D-K



DS4
Via Giardini 32
24066 Pedrengo
BERGAMO
Italy

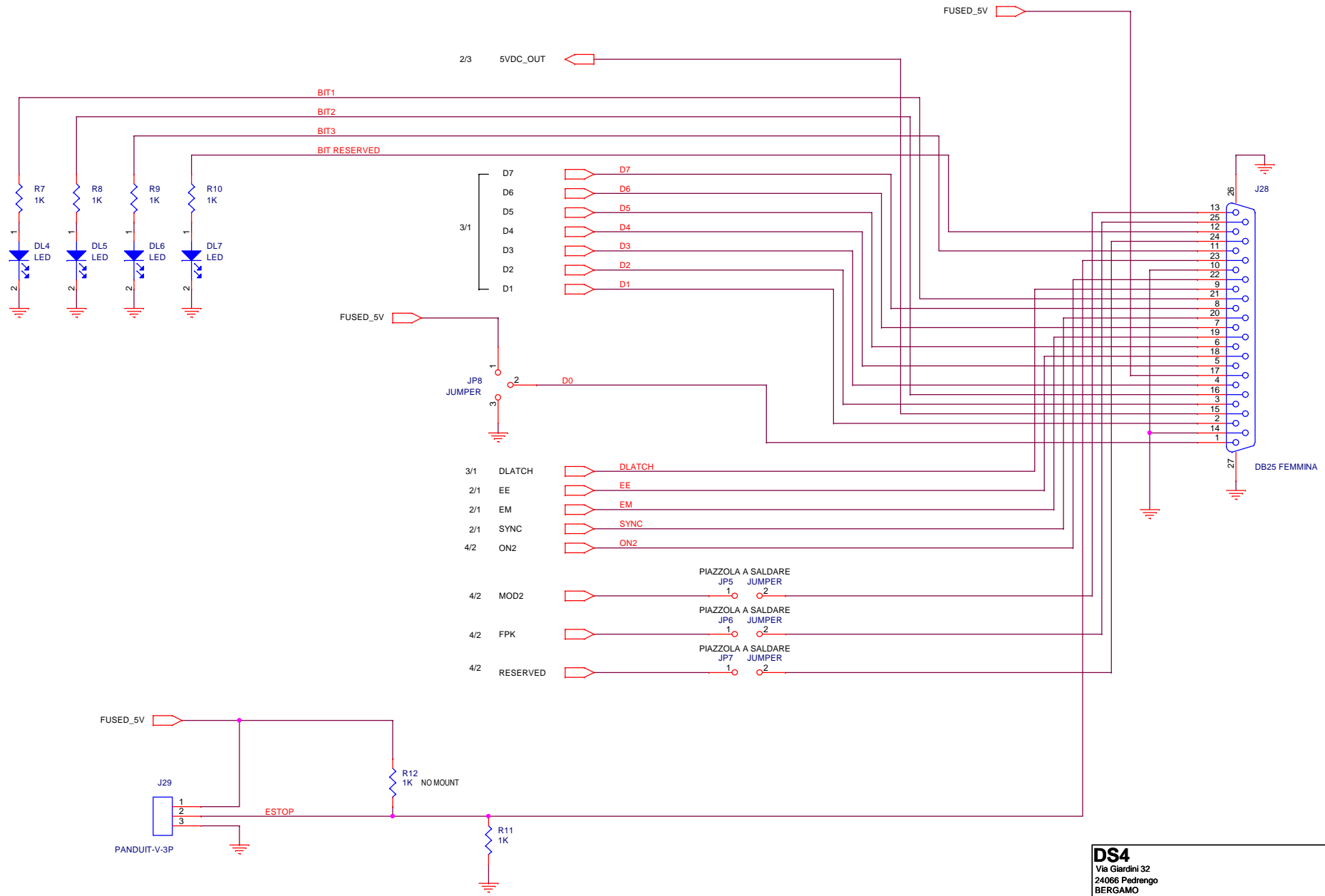
Title **SERIALE**


Document Number **7**

Rev **1.0 B**

Date: Thursday, October 27, 2011 Sheet 7 of 8

IPG FIBER LASER



DS4 Via Giardini 32 24066 Pedrengo BERGAMO Italy		
Title IPG FIBER LASER		
	Document Number 8	Rev 1.0 B
Date: Thursday, October 27, 2011	Sheet 8	of 8