

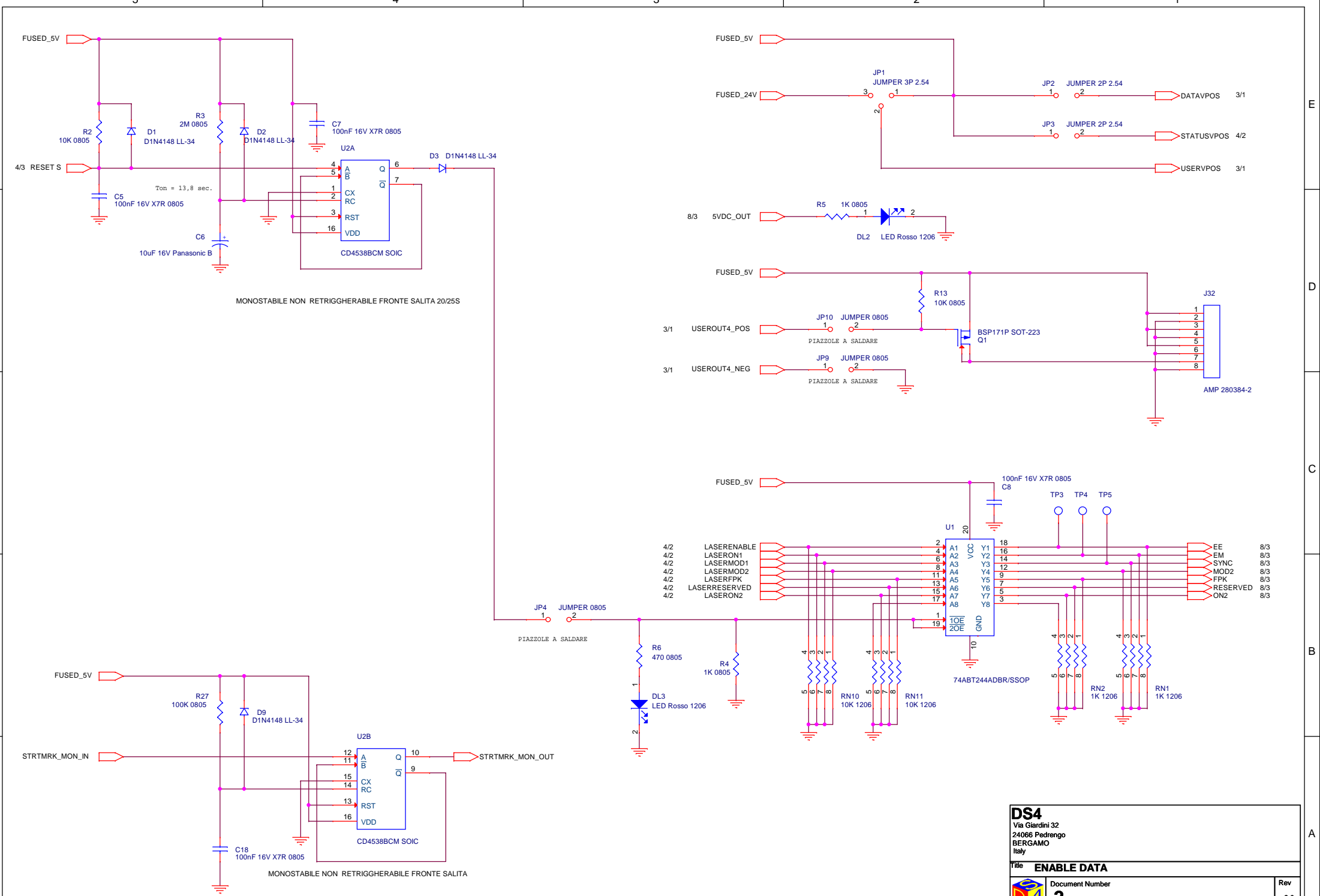
DS4
Via Giardini 32
24066 Pedrengo
BERGAMO
Italy

Title: **SYSTEM POWER**

Document Number: **1**

Rev: **2.0**

Date: Thursday, December 15, 2011 Sheet 1 of 8



DS4
 Via Giardini 32
 24066 Pedrengo
 BERGAMO
 Italy

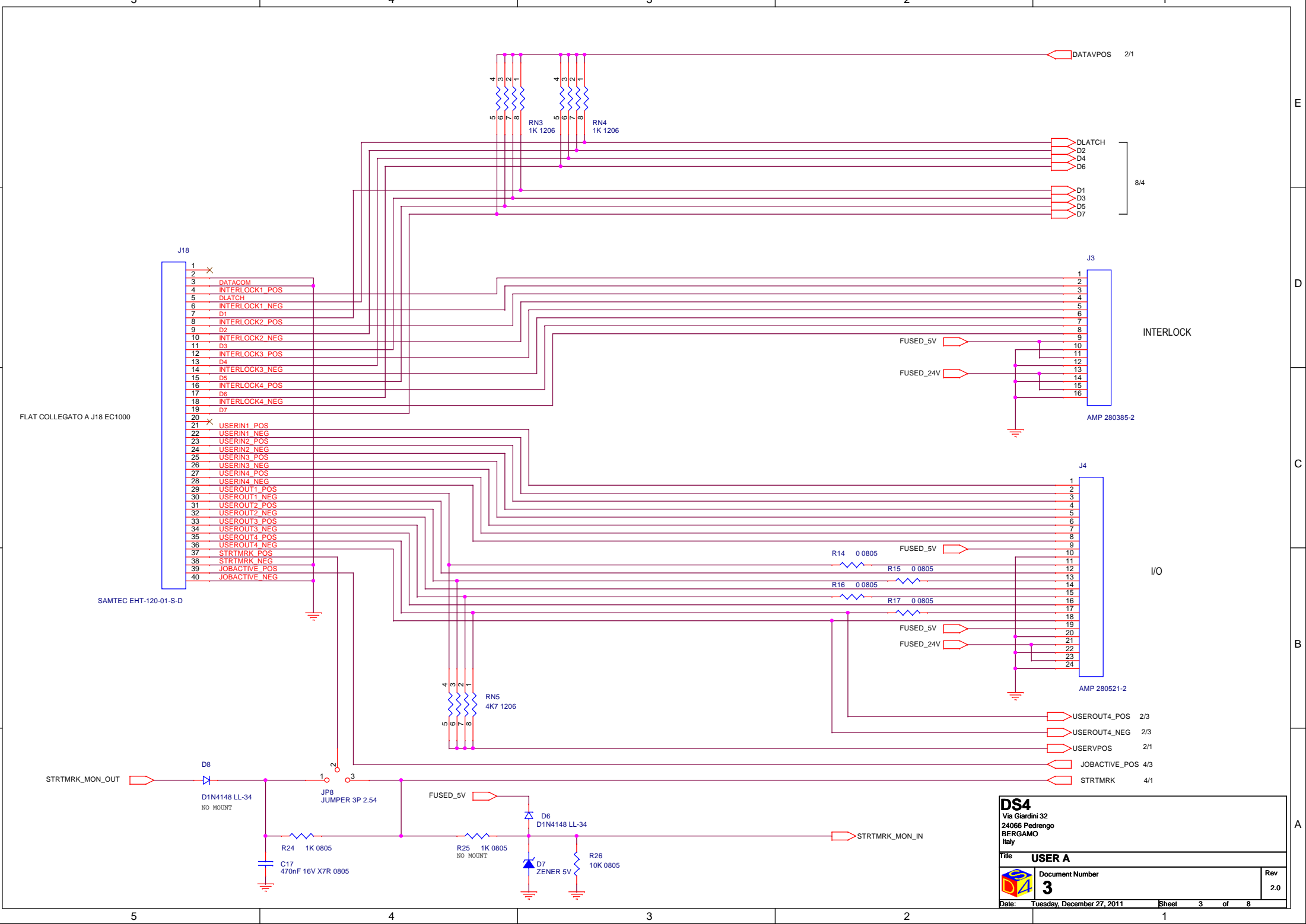
Title: **ENABLE DATA**

Document Number: **2**

Date: Tuesday, December 27, 2011

Sheet: 2 of 8

Rev: 2.0



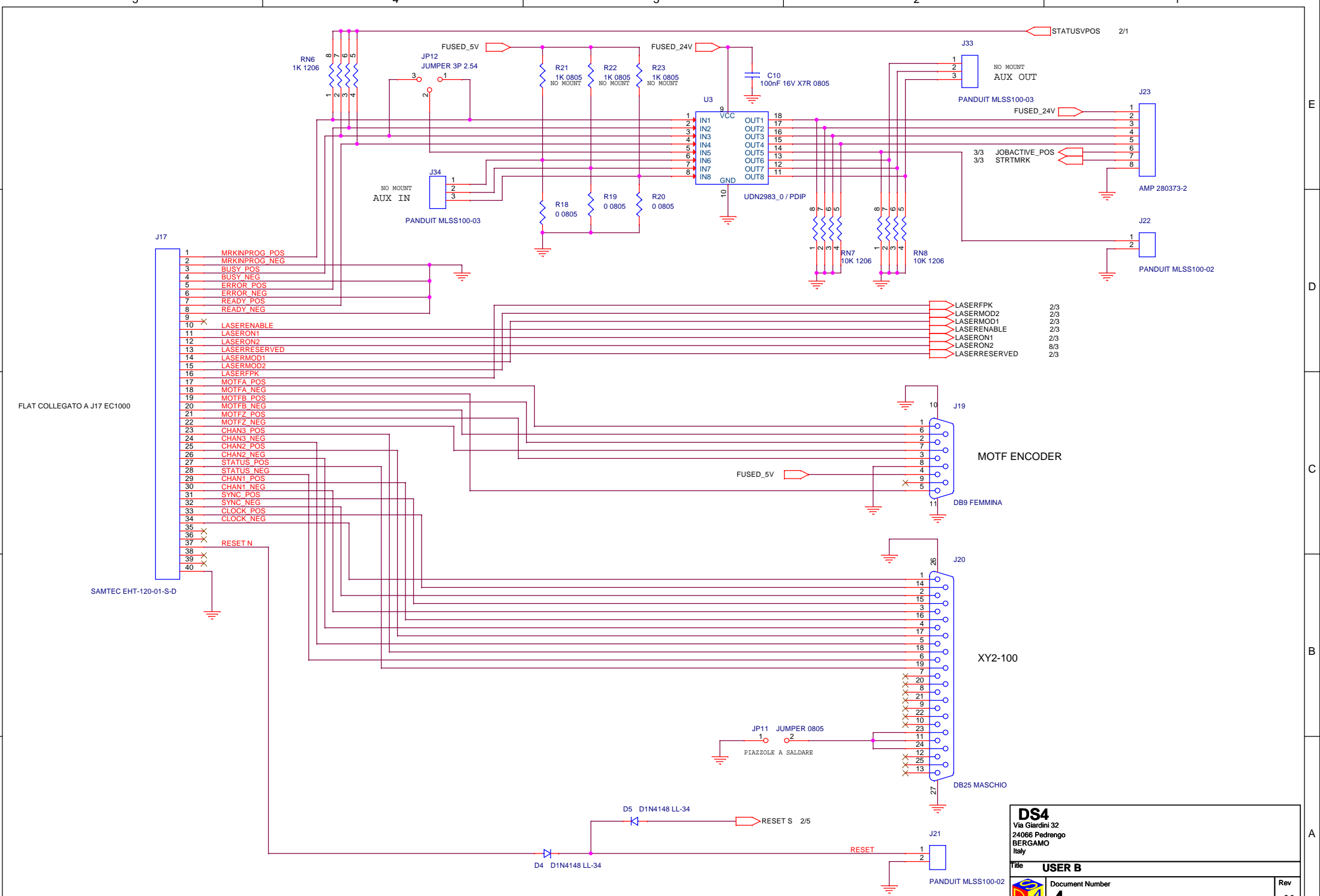
DS4
 Via Giardini 32
 24066 Pedrengo
 BERGAMO
 Italy

File USER A

Document Number 3

Rev 2.0

Date: Tuesday, December 27, 2011 Sheet 3 of 8

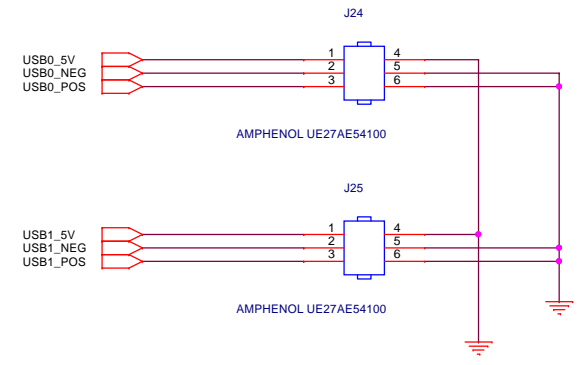
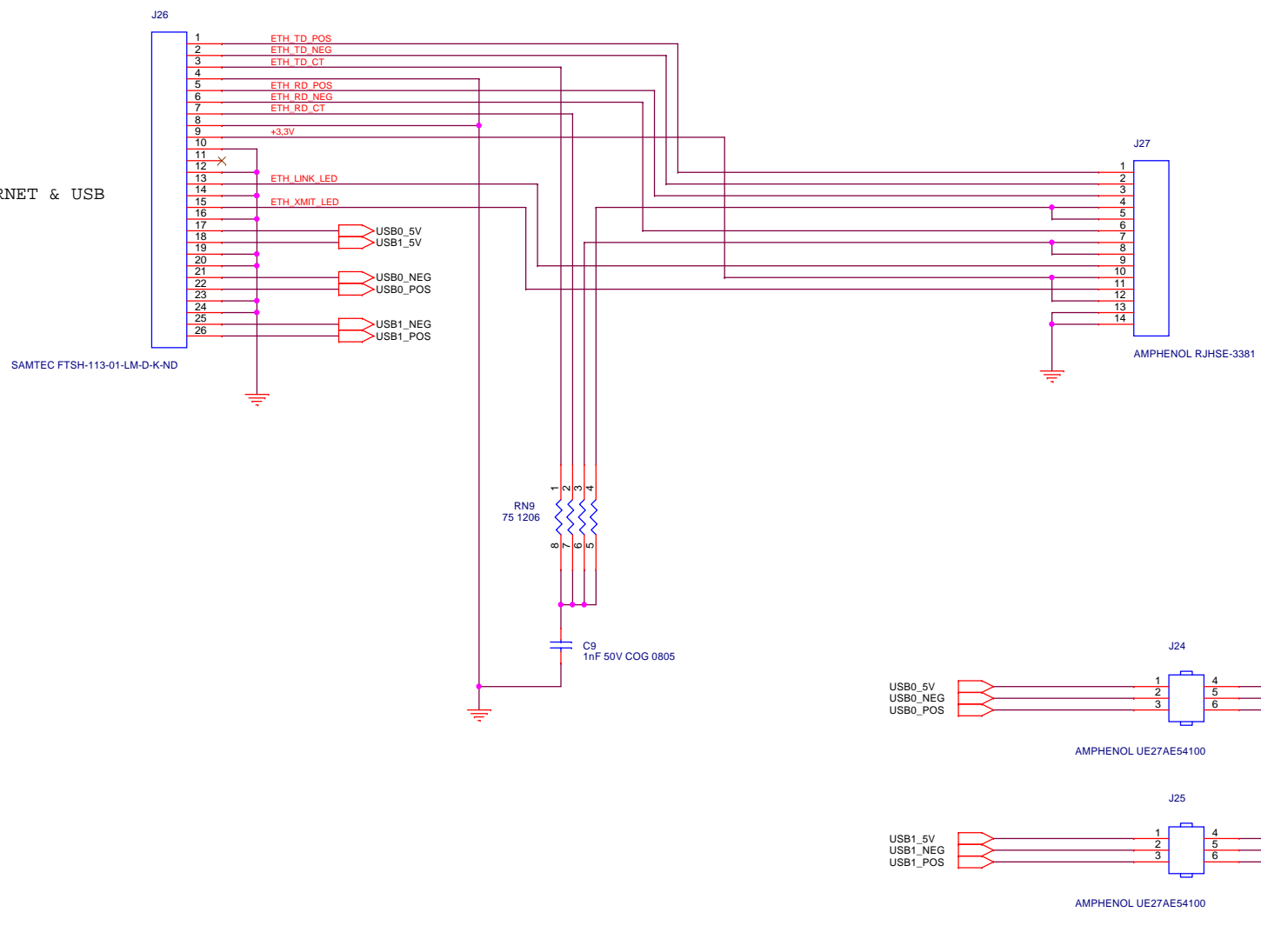


FLAT COLLEGATO A J17 EC1000

SAMTEC EHT-120-01-S-D

DS4 Via Giardini 32 24066 Pedrengo BERGAMO Italy	
File USER B	
Document Number 4	Rev 2.0
Date: Thursday, December 15, 2011 Sheet 4 of 8	

EC1000 ETHERNET & USB



DS4
Via Giardini 32
24066 Pedrengo
BERGAMO
Italy

Title: **ETHERNET - USB**

Document Number: **5**

Rev: **2.0**

Date: Thursday, December 15, 2011 Sheet 5 of 8

E

E

D

D

C

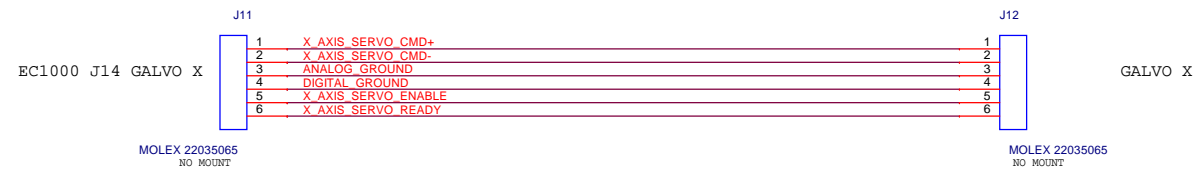
C

B

B


A

A

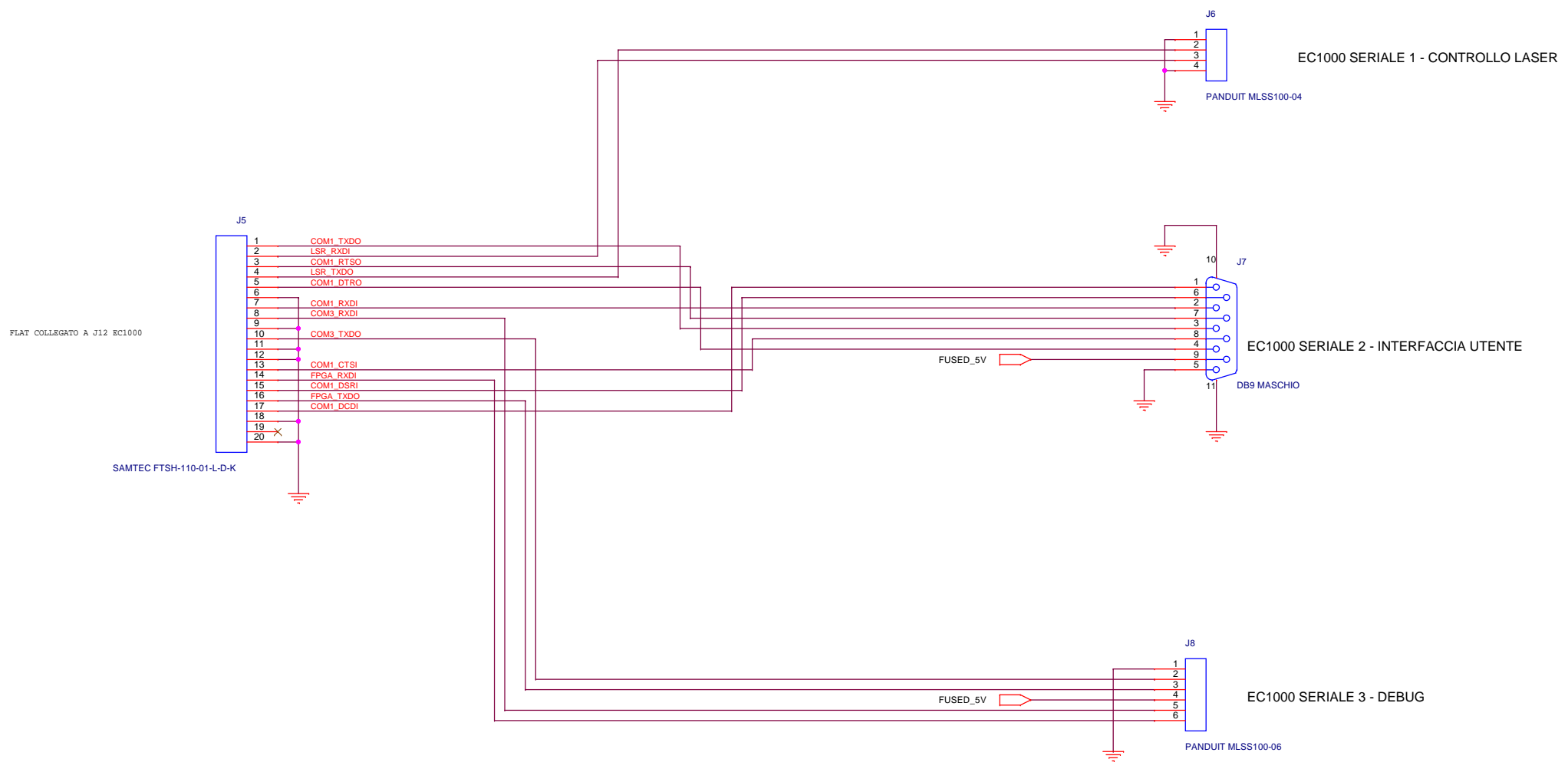


DS4
Via Giardini 32
24066 Pedrengo
BERGAMO
Italy

Title: **GALVO**

	Document Number	Rev
	6	2.0

Date: Thursday, December 15, 2011 Sheet 6 of 8



FLAT COLLEGATO A J12 EC1000

SAMTEC FTSH-110-01-L-D-K

J6
PANDUIT MLSS100-04

EC1000 SERIALE 1 - CONTROLLO LASER

J7
DB9 MASCHIO


EC1000 SERIALE 2 - INTERFACCIA UTENTE

J8
PANDUIT MLSS100-06

EC1000 SERIALE 3 - DEBUG

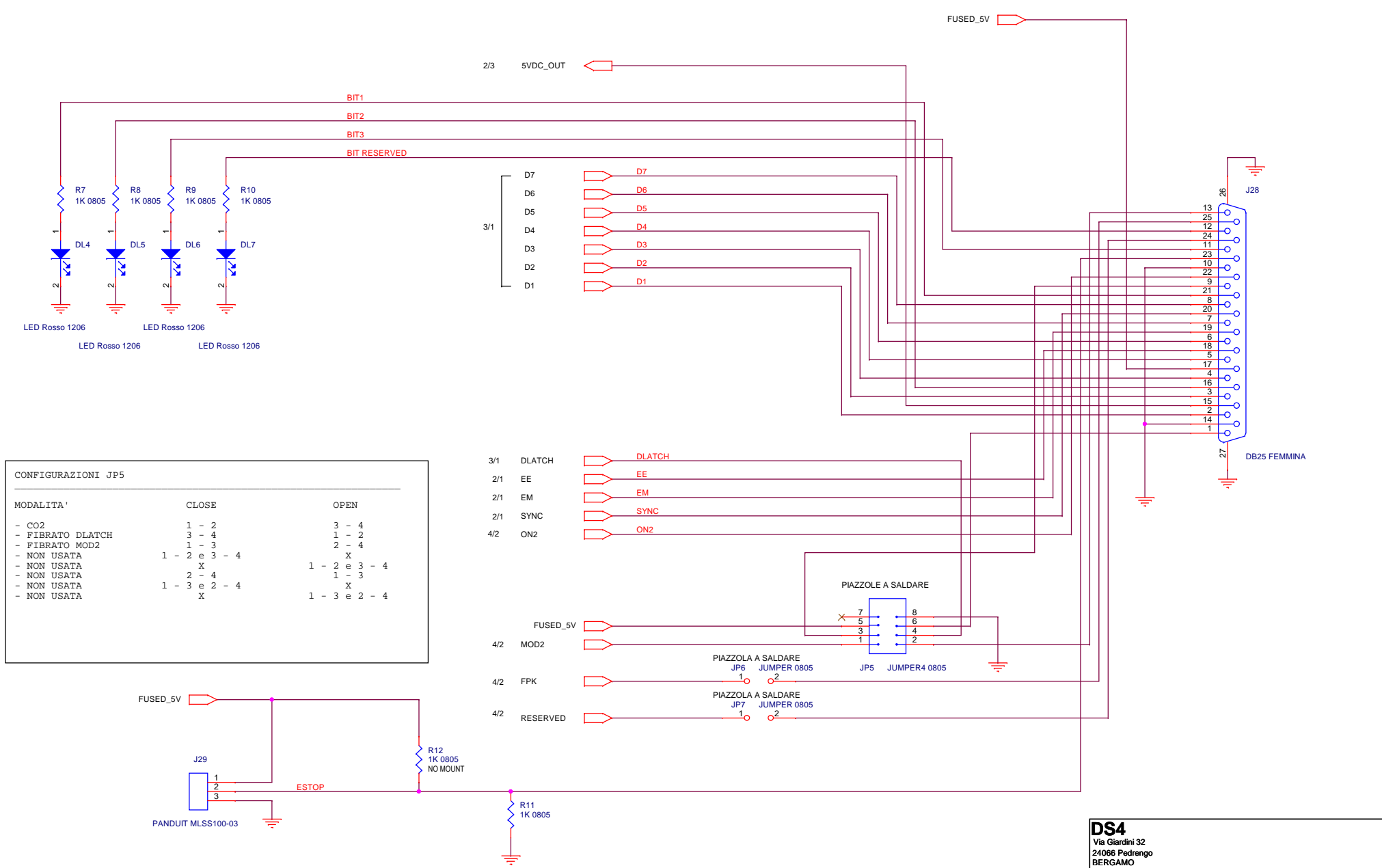
DS4
Via Giardini 32
24066 Pedrengo
BERGAMO
Italy

Title **SERIALE**

	Document Number 7	Rev 2.0
---	-----------------------------	------------

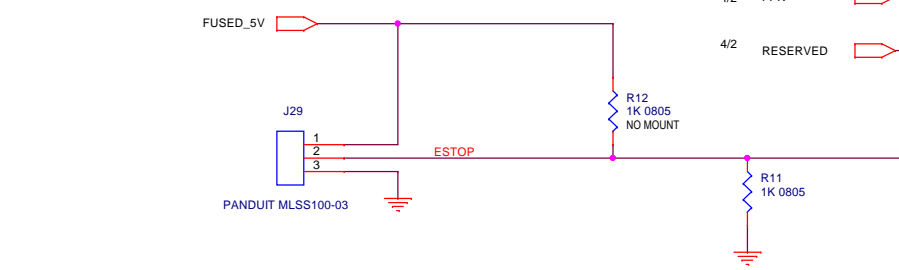
Date: Thursday, December 15, 2011 Sheet 7 of 8

IPG FIBER LASER



CONFIGURAZIONI JP5

MODALITA'	CLOSE	OPEN
- CO2	1 - 2	3 - 4
- FIBRATO DLATCH	3 - 4	1 - 2
- FIBRATO MOD2	1 - 3	2 - 4
- NON USATA	1 - 2 e 3 - 4	X
- NON USATA	X	1 - 2 e 3 - 4
- NON USATA	2 - 4	1 - 3
- NON USATA	1 - 3 e 2 - 4	X
- NON USATA	X	1 - 3 e 2 - 4



DS4
Via Giardini 32
24066 Pedrengo
BERGAMO
Italy

Title: **IPG FIBER LASER**

Document Number: **8**

Rev: **2.0**

Date: Friday, December 23, 2011

Sheet: 8 of 8