

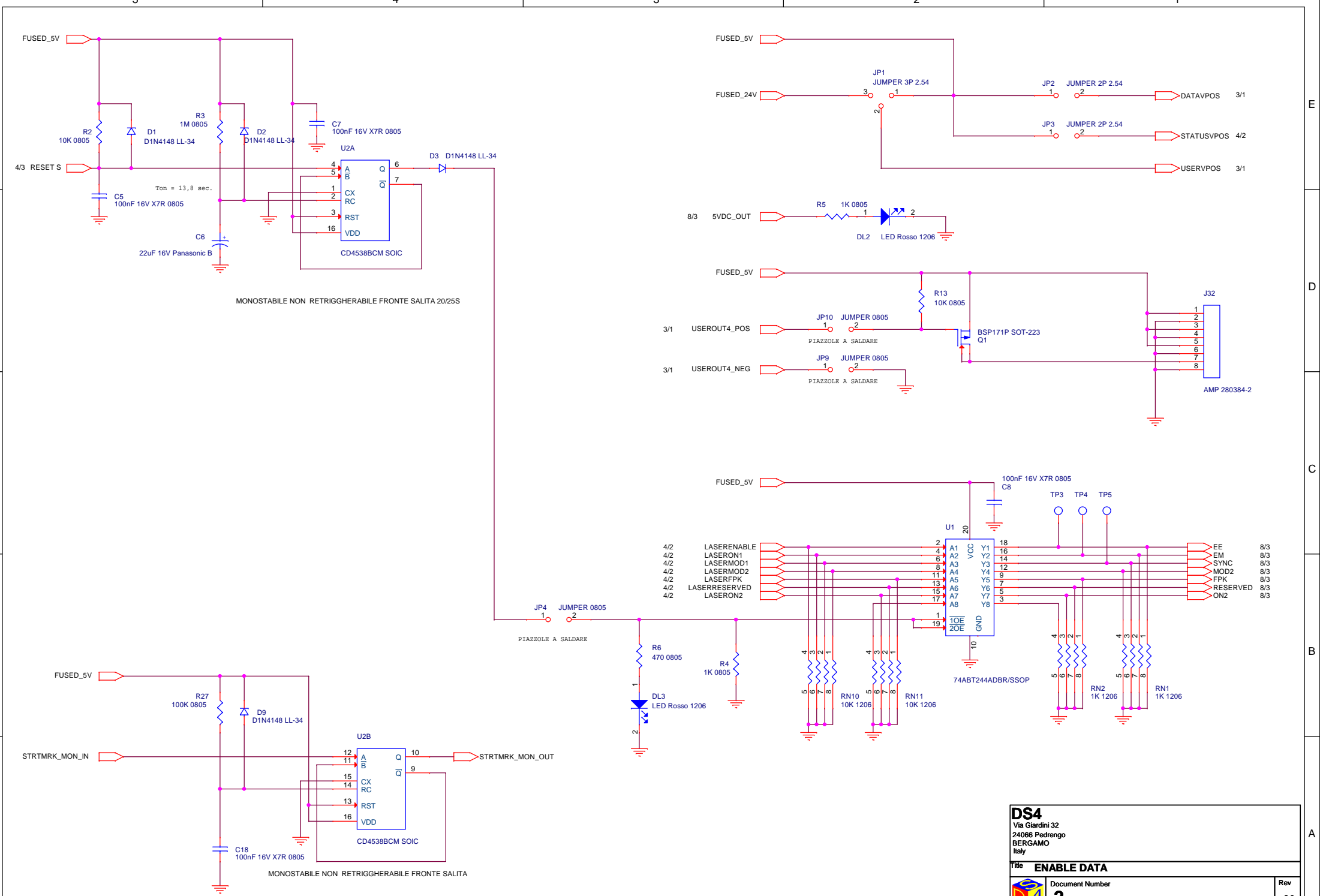
DS4
Via Giardini 32
24066 Pedrengo
BERGAMO
Italy

Title: **SYSTEM POWER**

Document Number: **1**

Rev: **2.0**

Date: Thursday, December 15, 2011 Sheet 1 of 8

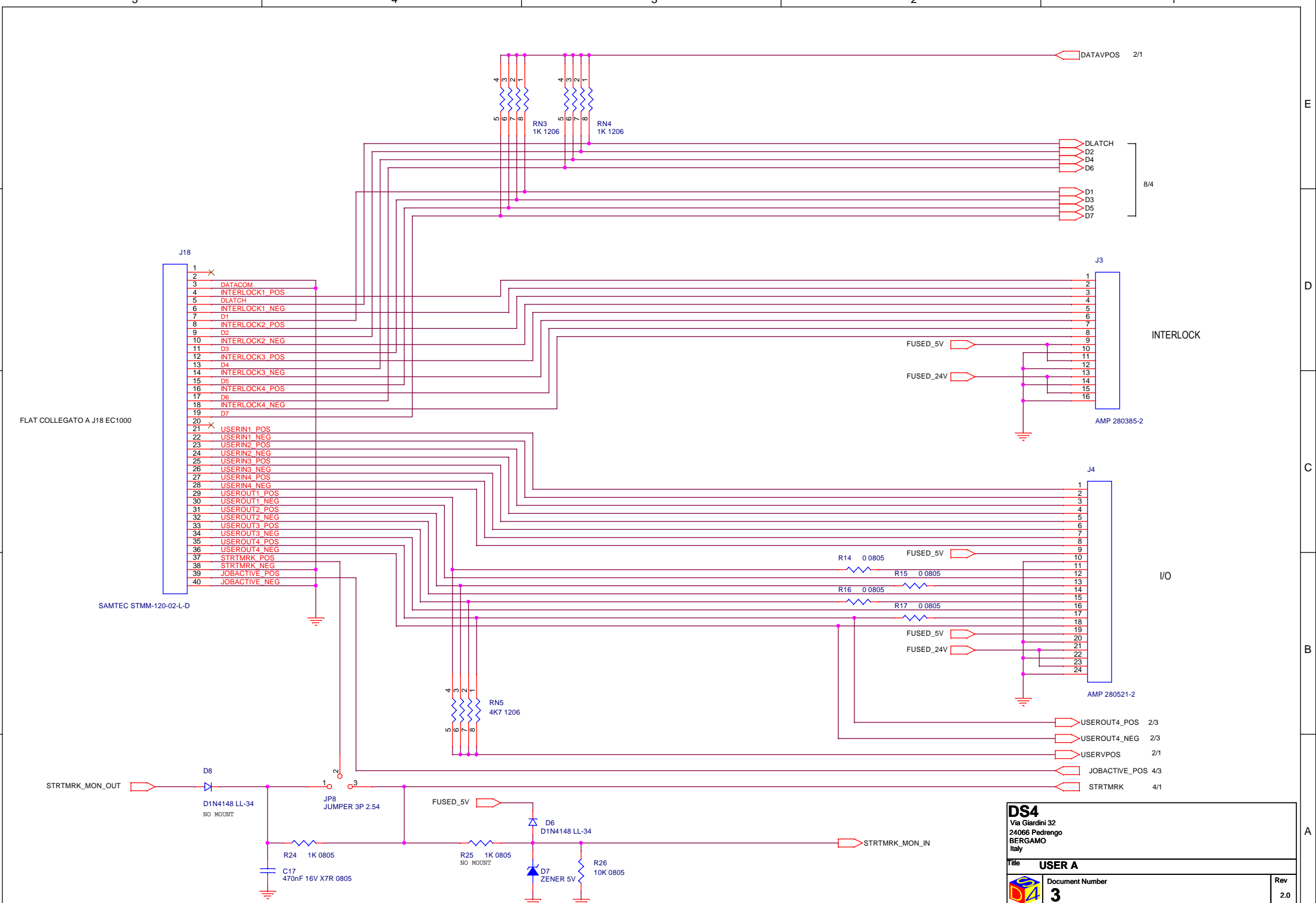


DS4
Via Giardini 32
24066 Pedrengo
BERGAMO
Italy

ENABLE DATA

Document Number
2

Date: Friday, February 03, 2012 Sheet 2 of 8 Rev 2.0



DS4
 Via Giardini 32
 24066 Pedrengo
 BERGAMO
 Italy

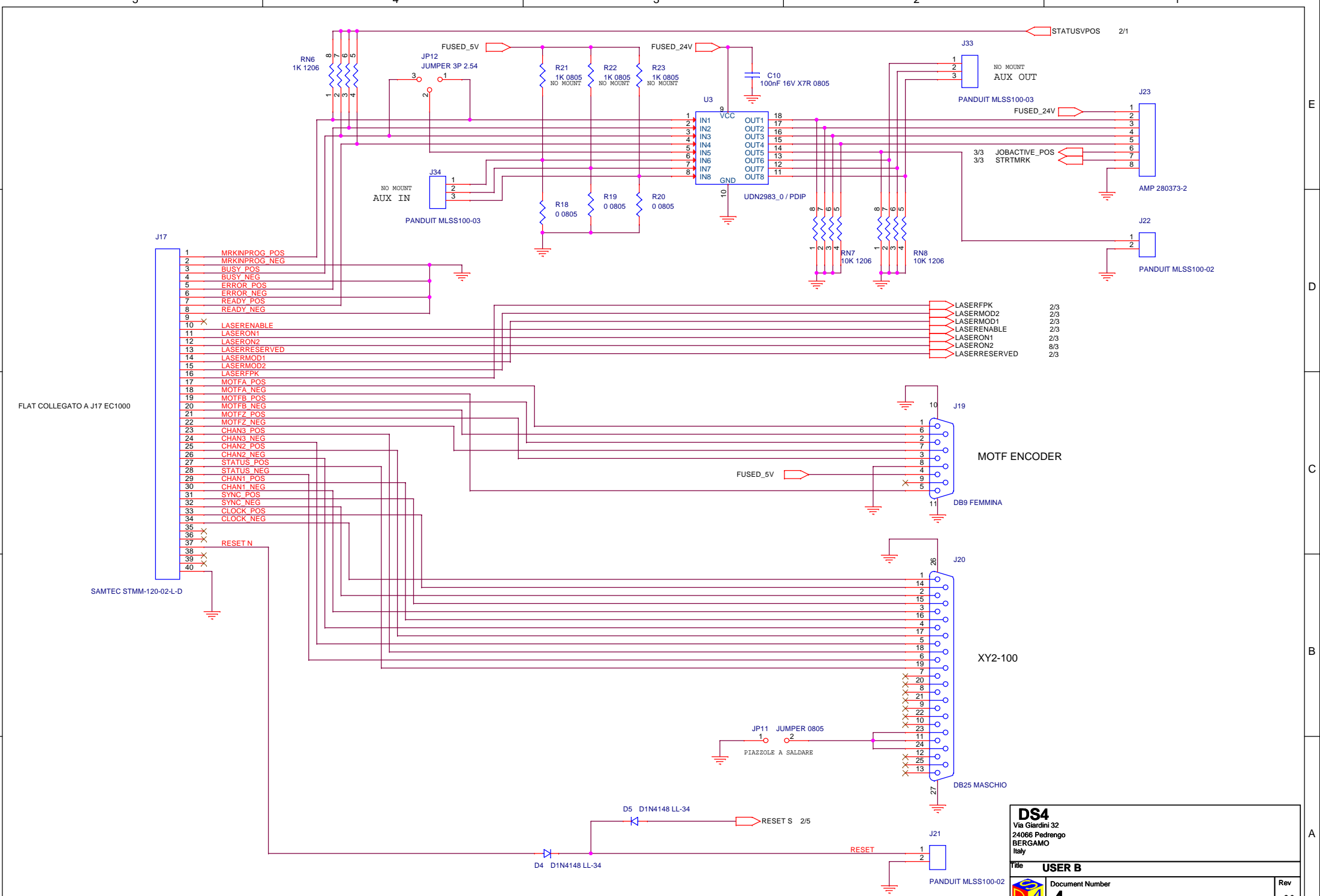
File: **USER A**

Document Number: **3**

Date: Wednesday, December 28, 2011

Sheet: 3 of 8

Rev: 2.0



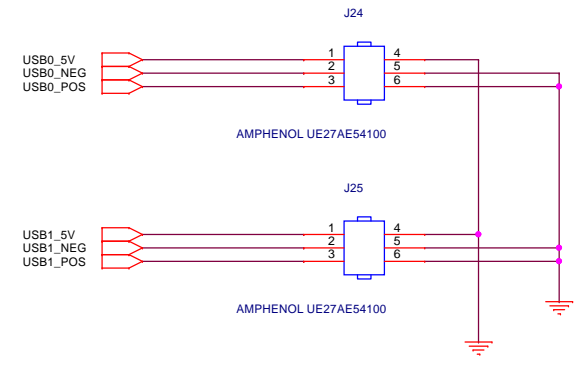
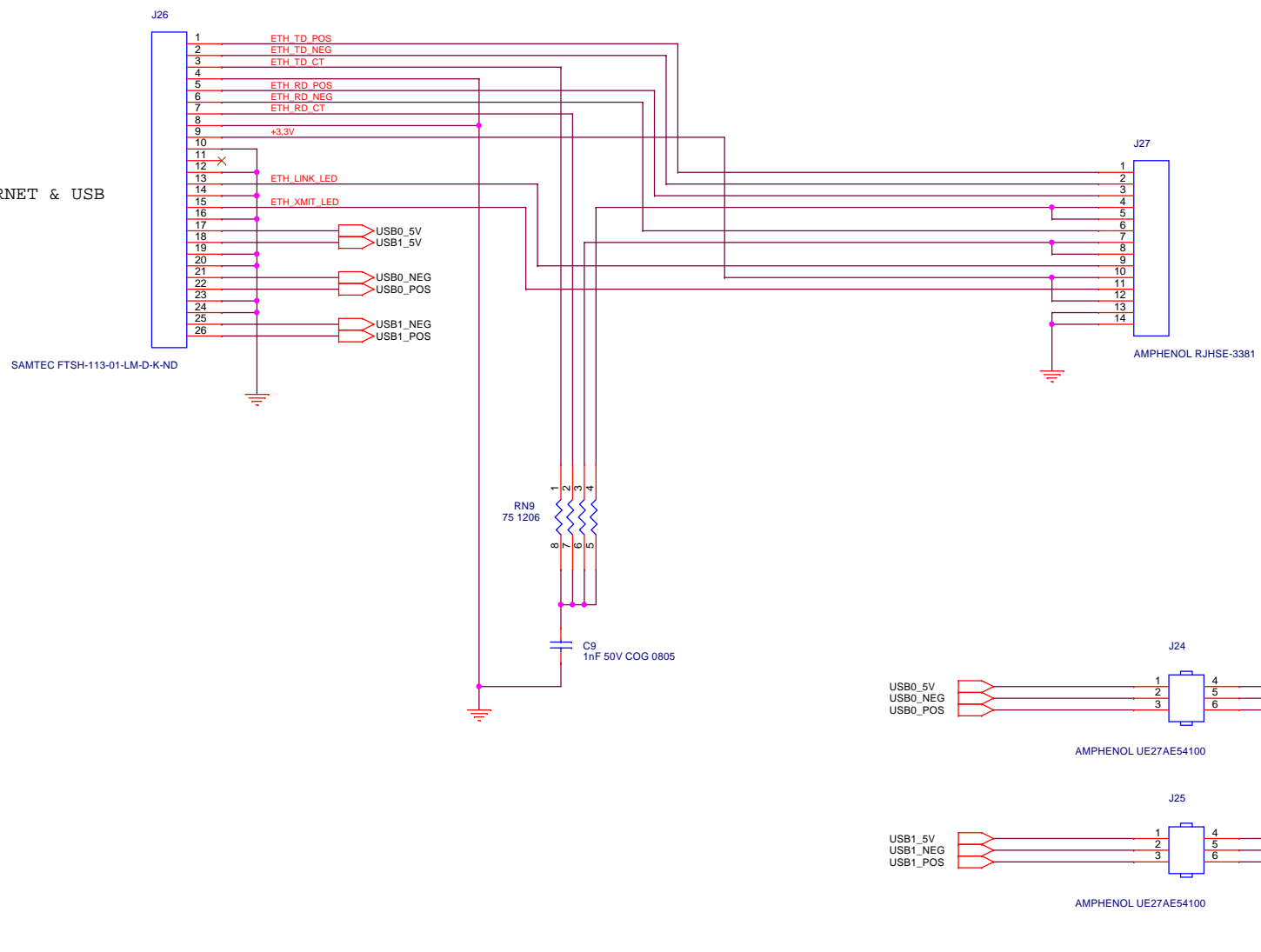
FLAT COLLEGATO A J17 EC1000

SAMTEC STMM-120-02-L-D

- 1 MRKINPROG_POS
- 2 MRKINPROG_NEG
- 3 BUSY_POS
- 4 BUSY_NEG
- 5 ERROR_POS
- 6 ERROR_NEG
- 7 READY_POS
- 8 READY_NEG
- 9
- 10 LASERENABLE
- 11 LASERON1
- 12 LASERON2
- 13 LASERRESERVED
- 14 LASERMOD1
- 15 LASERMOD2
- 16 LASERFPK
- 17 MOTFA_POS
- 18 MOTFA_NEG
- 19 MOTFB_POS
- 20 MOTFB_NEG
- 21 MOTFZ_POS
- 22 MOTFZ_NEG
- 23 CHAN3_POS
- 24 CHAN3_NEG
- 25 CHAN2_POS
- 26 CHAN2_NEG
- 27 STATUS_POS
- 28 STATUS_NEG
- 29 CHAN1_POS
- 30 CHAN1_NEG
- 31 SYNC_POS
- 32 SYNC_NEG
- 33 CLOCK_POS
- 34 CLOCK_NEG
- 35
- 36
- 37 RESET N
- 38
- 39
- 40

DS4	
Via Giardini 32 24066 Pedrengo BERGAMO Italy	
USER B	
Document Number 4	Rev 2.0
Date: Wednesday, December 28, 2011 Sheet 4 of 8	

EC1000 ETHERNET & USB



DS4
Via Giardini 32
24066 Pedrengo
BERGAMO
Italy

Title: **ETHERNET - USB**

Document Number: **5**

Rev: **2.0**

Date: Thursday, December 15, 2011 Sheet 5 of 8

E

E

D

D

C

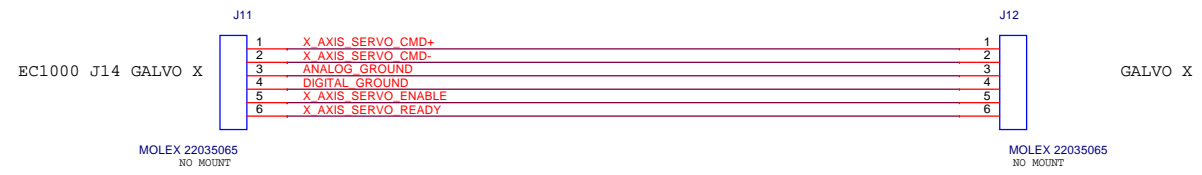
C

B

B


A

A

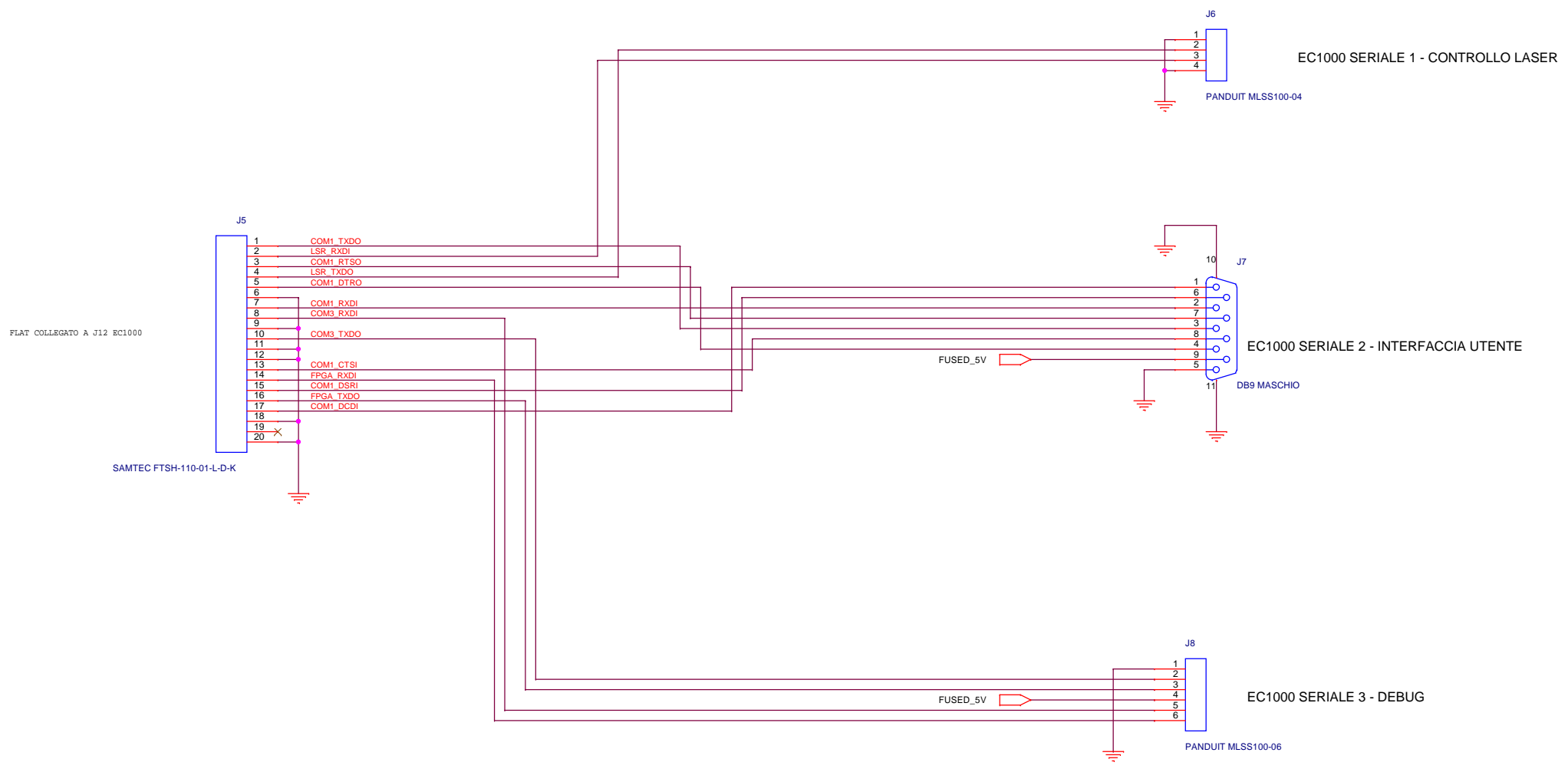


DS4
Via Giardini 32
24066 Pedrengo
BERGAMO
Italy

Title: **GALVO**

	Document Number 6	Rev 2.0
---	-----------------------------	------------

Date: Thursday, December 15, 2011 Sheet 6 of 8



FLAT COLLEGATO A J12 EC1000

SAMTEC FTSH-110-01-L-D-K

J6
PANDUIT MLSS100-04

EC1000 SERIALE 1 - CONTROLLO LASER

J7
DB9 MASCHIO


EC1000 SERIALE 2 - INTERFACCIA UTENTE

J8
PANDUIT MLSS100-06

EC1000 SERIALE 3 - DEBUG

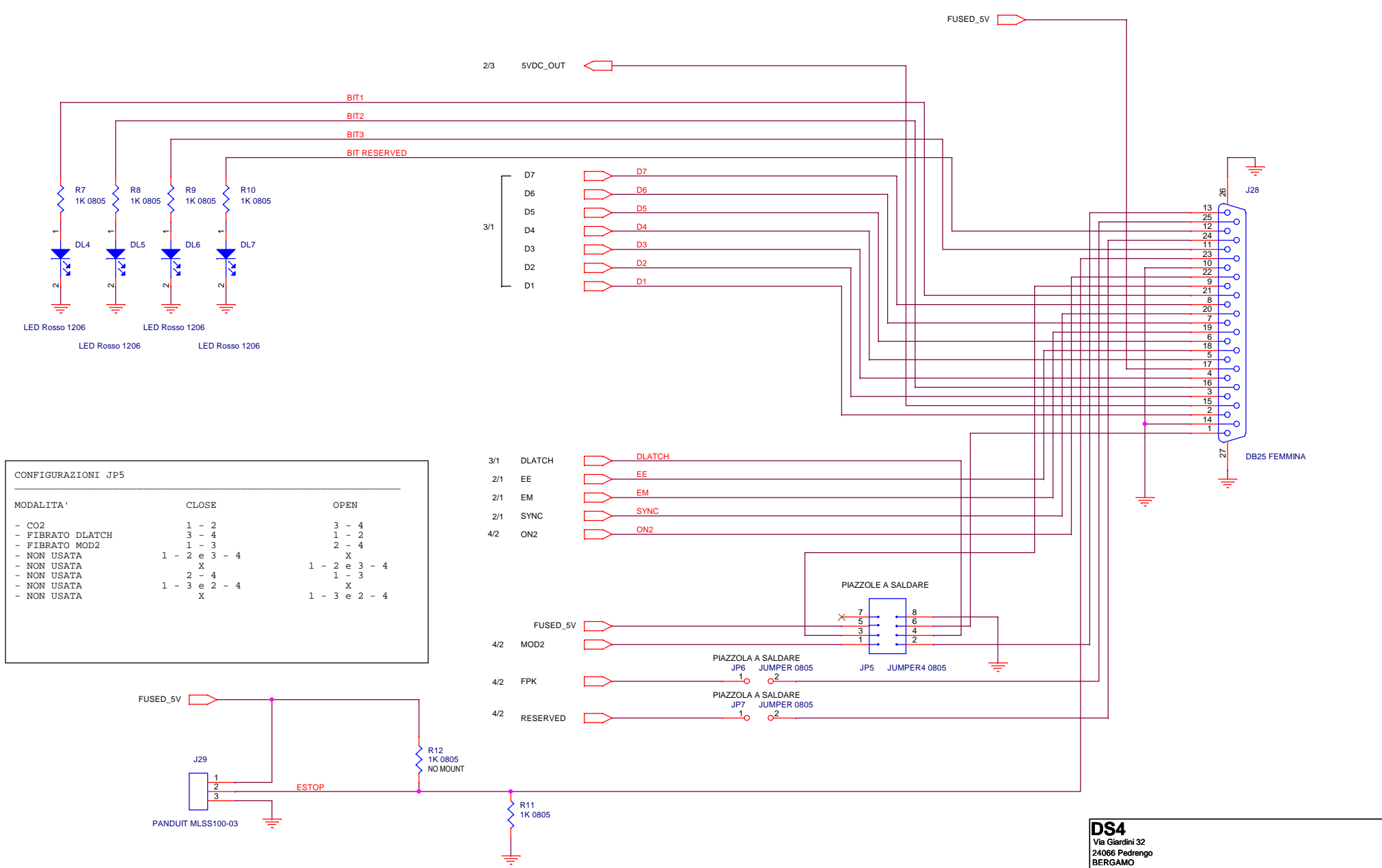
DS4
Via Giardini 32
24066 Pedrengo
BERGAMO
Italy

Title **SERIALE**

	Document Number 7	Rev 2.0
---	-----------------------------	------------

Date: Thursday, December 15, 2011 Sheet 7 of 8

IPG FIBER LASER



CONFIGURAZIONI JP5

MODALITA'	CLOSE	OPEN
- CO2	1 - 2	3 - 4
- FIBRATO DLATCH	3 - 4	1 - 2
- FIBRATO MOD2	1 - 3	2 - 4
- NON USATA	1 - 2 e 3 - 4	X
- NON USATA	X	1 - 2 e 3 - 4
- NON USATA	2 - 4	1 - 3
- NON USATA	1 - 3 e 2 - 4	X
- NON USATA	X	1 - 3 e 2 - 4

DS4
Via Giardini 32
24066 Pedrengo
BERGAMO
Italy

Title: **IPG FIBER LASER**

Document Number: **8**

Rev: **2.0**

Date: Friday, December 23, 2011

Sheet: 8 of 8