

DS4
Via Giardini 32
24066 Pedrengo
BERGAMO
Italy

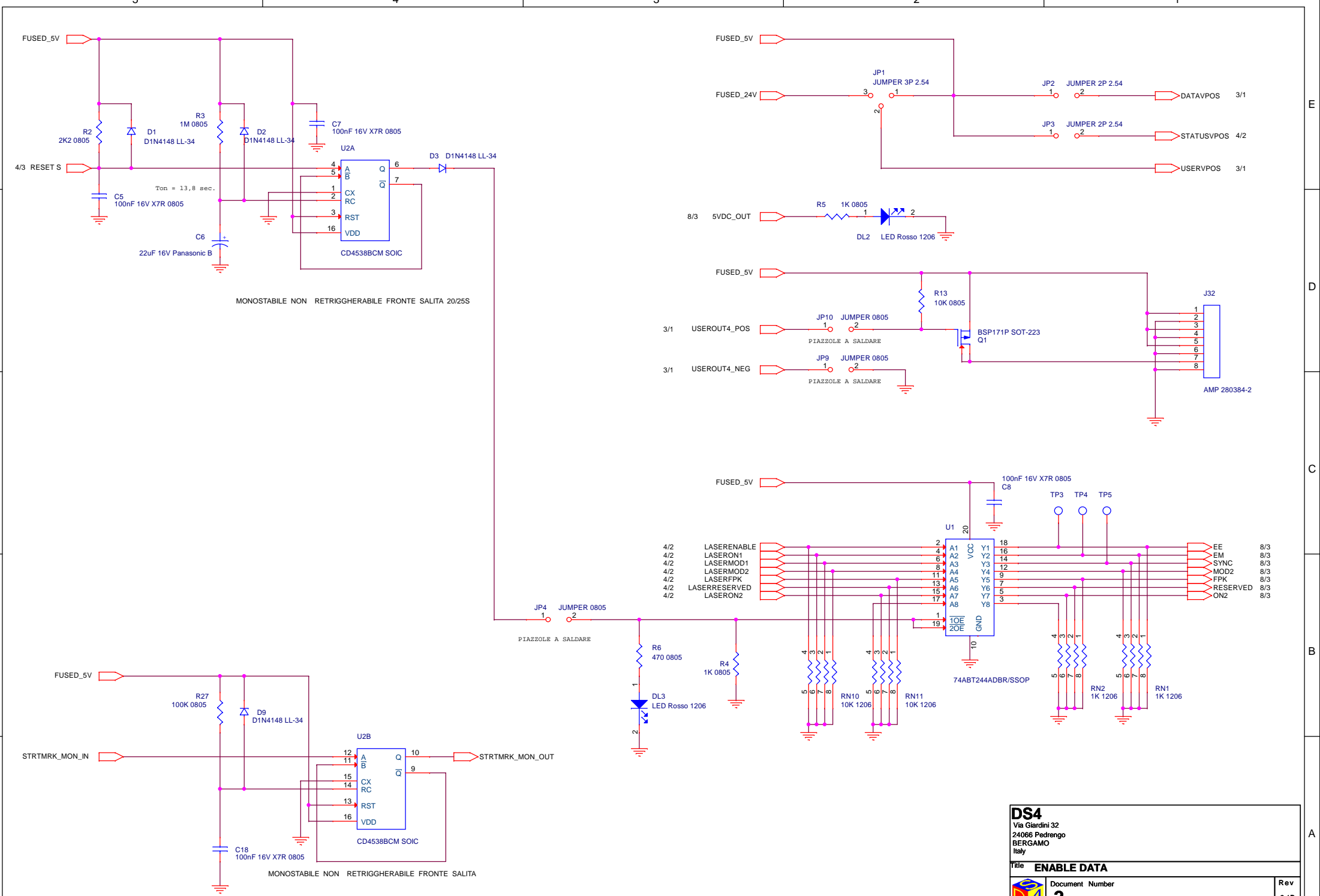
File: **SYSTEM POWER**


Document Number: **1**

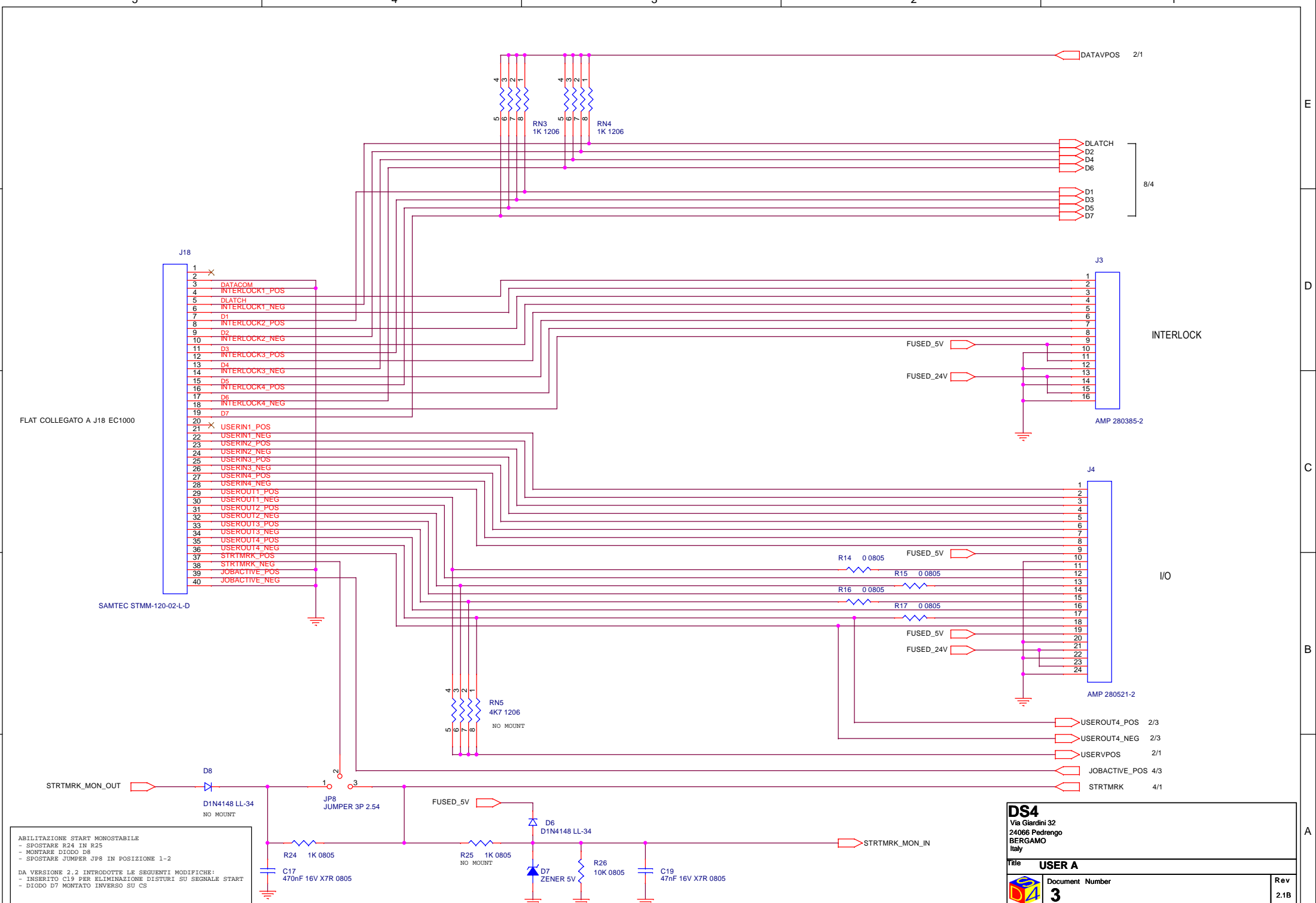
Date: Tuesday, September 06, 2016

Sheet 1 of 8

Rev: 2.1B



DS4 Via Giardini 32 24066 Pedrengo BERGAMO Italy		
File ENABLE DATA		
	Document Number 2	Rev 2.1B
Date: Tuesday, September 06, 2016	Sheet 2 of 8	



FLAT COLLEGATO A J18 EC1000

SAMTEC STMM-120-02-L-D

ABILITAZIONE START MONOSTABILE
 - SPOSTARE R24 IN R25
 - MONTARE DIODO D8
 - SPOSTARE JUMPER JP8 IN POSIZIONE 1-2

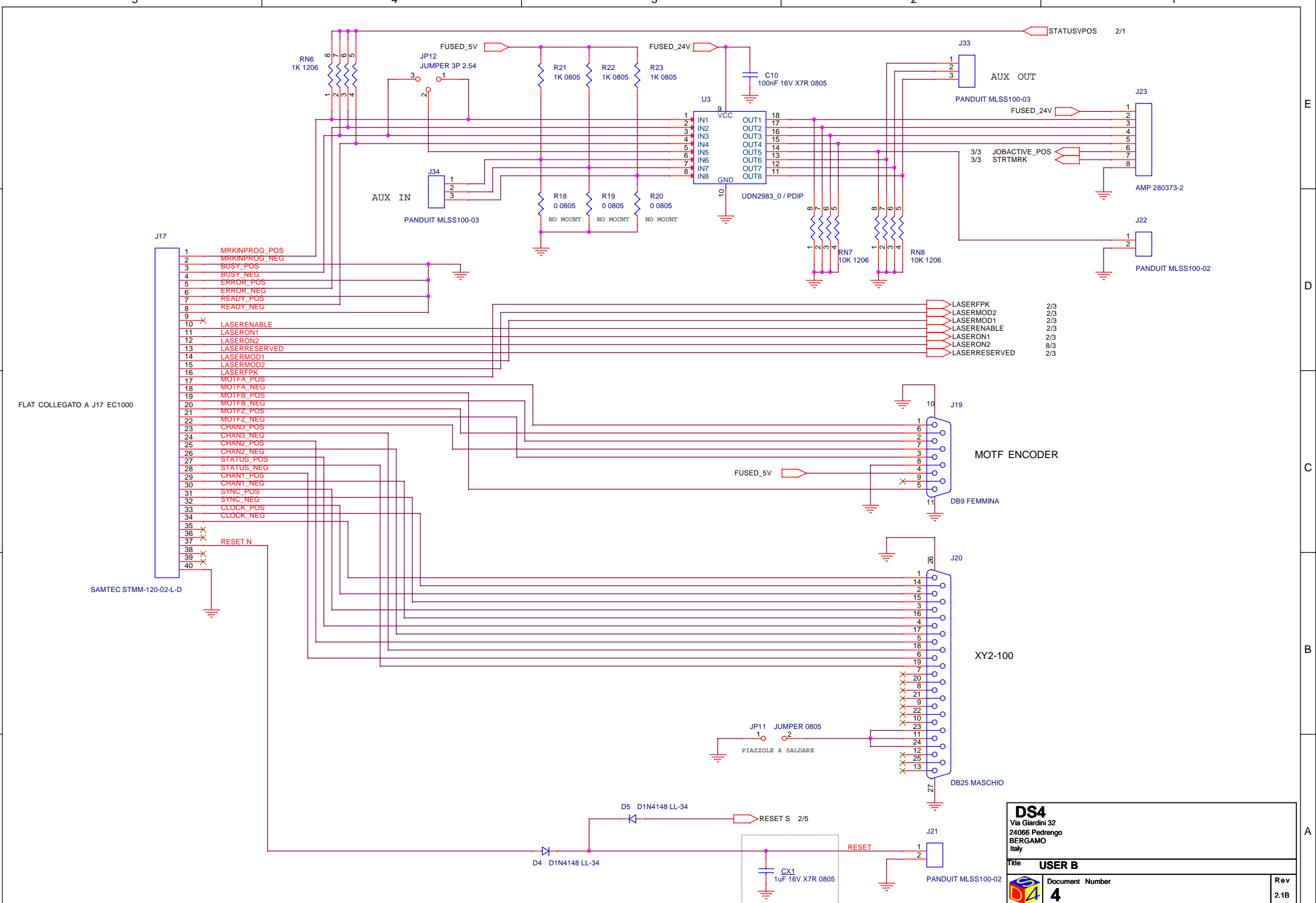
DA VERSIONE 2.2 INTRODOTTE LE SEGUENTI MODIFICHE:
 - INSERITO C19 PER ELIMINAZIONE DISTURBI SU SEGNALE START
 - DIODO D7 MONTATO INVERSO SU CS

DS4
 Via Giardini 32
 24066 Pedrengo
 BERGAMO
 Italy

File **USER A**

Document Number **3**

Date: Tuesday, September 06, 2016 Sheet 3 of 8 Rev 2.1B

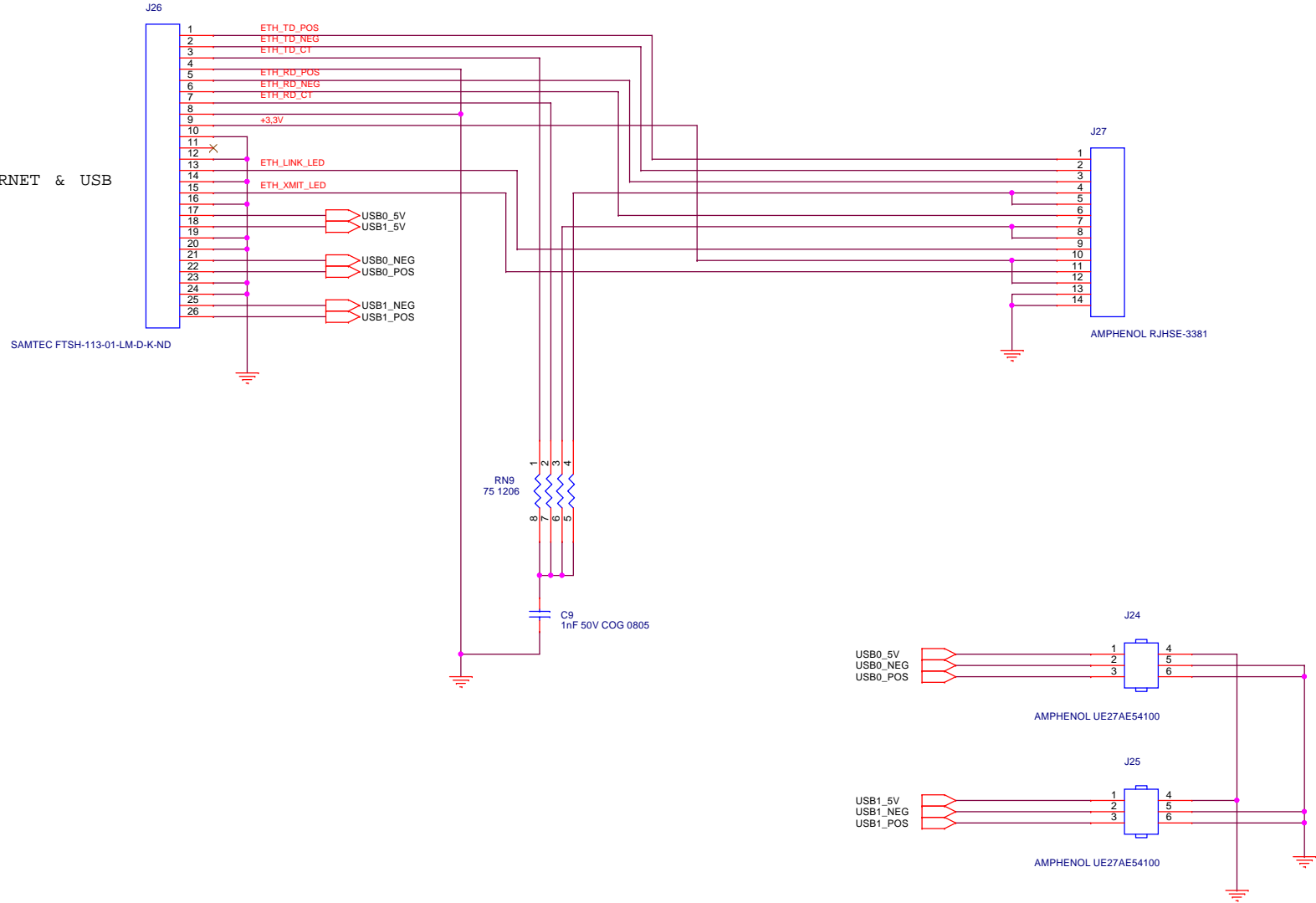


FLAT COLLEGATO A J17 EC1000

SAMTEC STMM-120-02-L-D

DS4 Via Giardini 32 24066 Pedrengo BERGAMO Italy	
File USER B	
Document Number 4	Rev 2.1B
Date: Tuesday, September 06, 2016 Sheet 4 of 8	

EC1000 ETHERNET & USB



DS4
Via Giardini 32
24066 Pedrengo
BERGAMO
Italy

Title: **ETHERNET - USB**

Document Number: **5**

Rev: **2.1B**

Date: Tuesday, September 06, 2016 Sheet 5 of 8

E

E

D

D

C

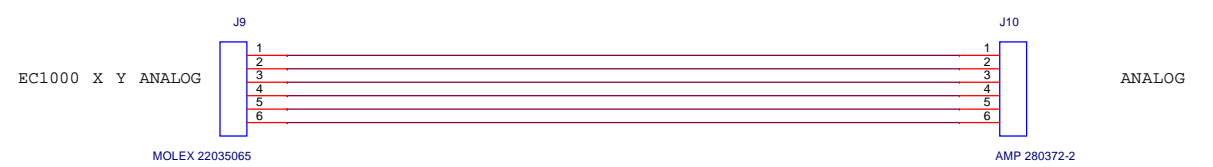
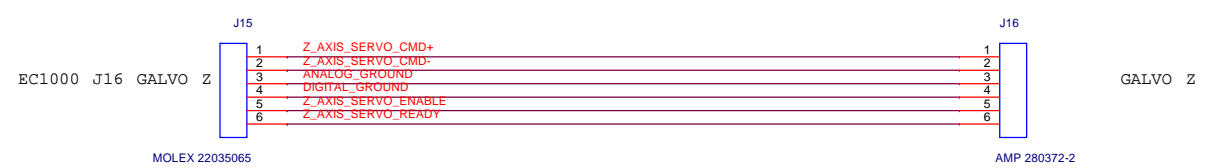
C

B

B


A

A



DS4
Via Giardini 32
24066 Pedrengo
BERGAMO
Italy

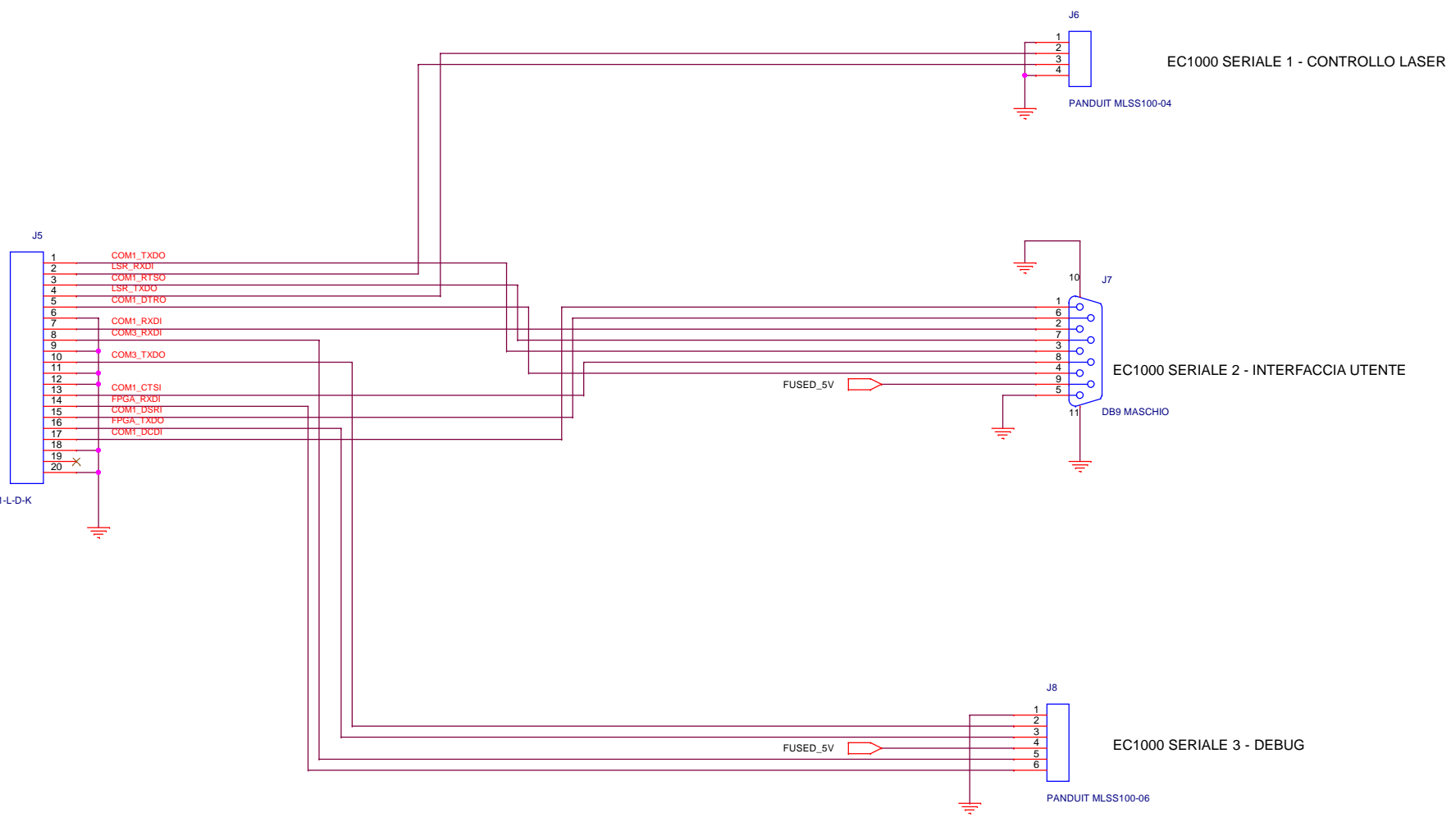
File **GALVO**

 Document Number **6** Rev **2.1B**

Date: Tuesday, September 06, 2016 Sheet 6 of 8

FLAT COLLEGATO A J12 EC1000


SAMTEC FTSH-110-01-L-D-K



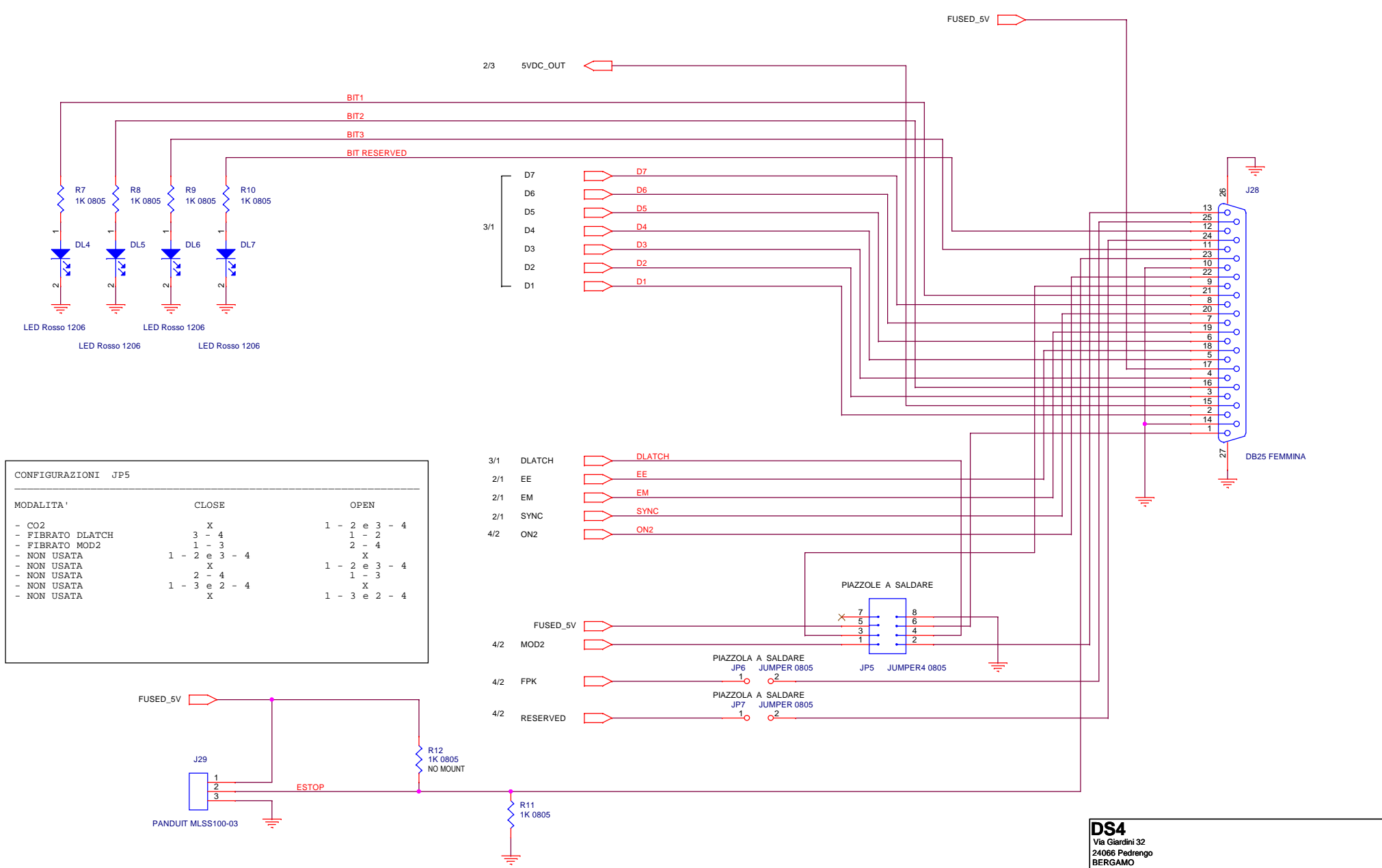
EC1000 SERIALE 1 - CONTROLLO LASER

EC1000 SERIALE 2 - INTERFACCIA UTENTE

EC1000 SERIALE 3 - DEBUG

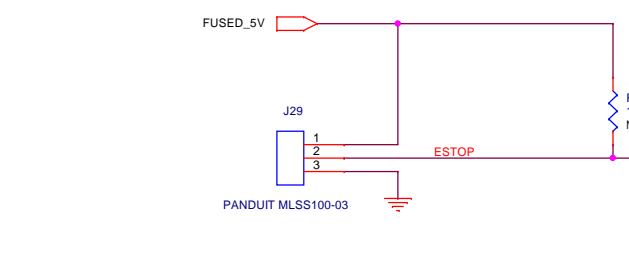
DS4 Via Giardini 32 24066 Pedrengo BERGAMO Italy		
Title SERIALE		
	Document Number 7	Rev 2.1B
Date: Tuesday, September 06, 2016	Sheet 7 of 8	1

IPG FIBER LASER



CONFIGURAZIONI JP5

MODALITA'	CLOSE	OPEN
- CO2	X	1 - 2 e 3 - 4
- FIBRATO DLATCH	3 - 4	1 - 2
- FIBRATO MOD2	1 - 3	2 - 4
- NON USATA	1 - 2 e 3 - 4	X
- NON USATA	X	1 - 2 e 3 - 4
- NON USATA	2 - 4	1 - 3
- NON USATA	1 - 3 e 2 - 4	X
- NON USATA	X	1 - 3 e 2 - 4



DS4
Via Giardini 32
24066 Pedrengo
BERGAMO
Italy

IPG FIBER LASER

Document Number **8**

Date: Tuesday, September 06, 2016 Sheet 8 of 8

Rev 2.1B