

**DS4**  
 Via Giardini 32  
 24066 Pedrengo  
 BERGAMO  
 Italy

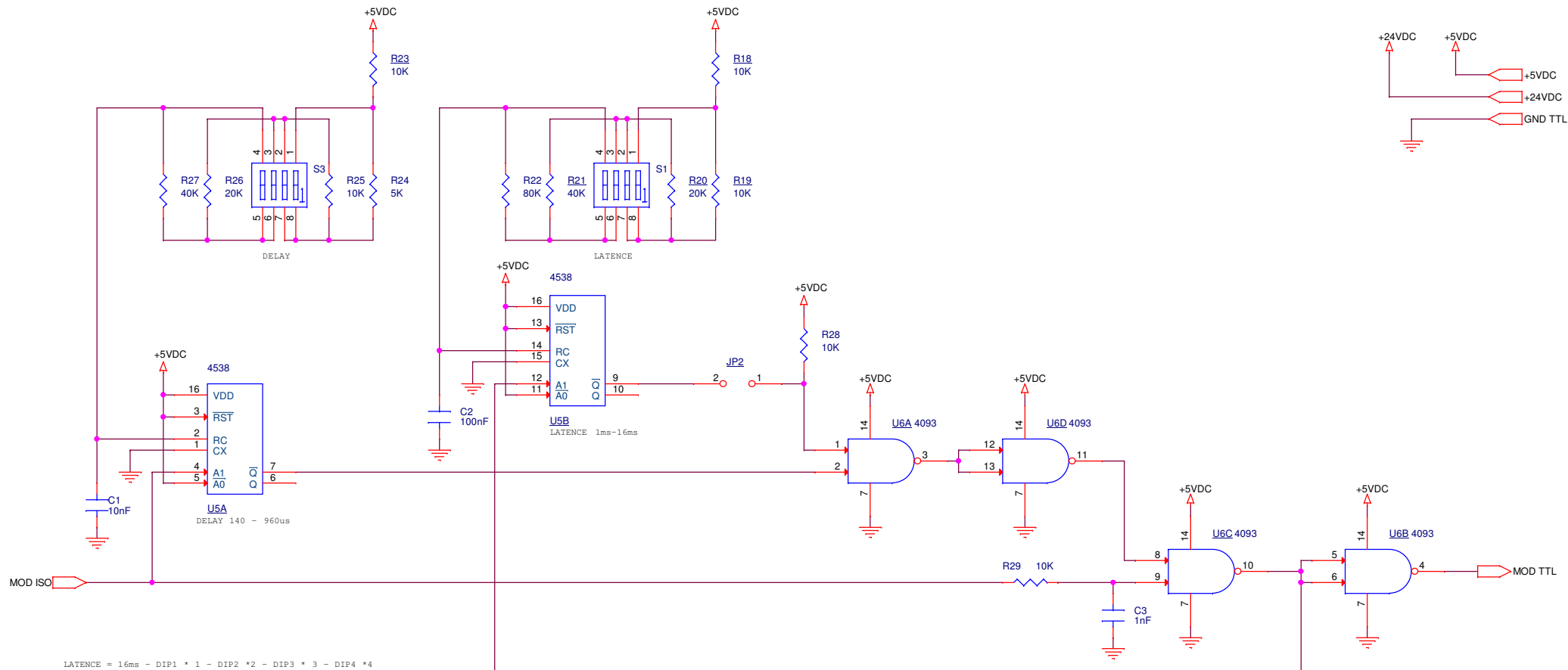
Title PULSE ADJUST

Document Number  
**PULSE**

Date: Tuesday, May 02, 2017

Sheet 1 of 2

Rev 2.0



LATENCE = 16ms - DIP1 \* 1 - DIP2 \* 2 - DIP3 \* 3 - DIP4 \* 4  
 DELAY = 960us - DIP1 \* 50 - DIP2 \* 100 - DIP3 \* 220 - DIP4 \* 450

DIP L					DIP D														
1	2	3	4	LATENCY	1	2	3	4	LATENCY	1	2	3	4	DELAY	1	2	3	4	DELAY
OFF	OFF	OFF	OFF	16 ms	OFF	OFF	OFF	ON	8 ms	OFF	OFF	OFF	OFF	960 us	OFF	OFF	OFF	ON	510 us
ON	OFF	OFF	OFF	15 ms	ON	OFF	OFF	ON	7 ms	ON	OFF	OFF	OFF	910 us	ON	OFF	OFF	ON	460 us
OFF	ON	OFF	OFF	14 ms	OFF	ON	OFF	ON	6 ms	OFF	ON	OFF	OFF	860 us	OFF	ON	OFF	ON	410 us
ON	ON	OFF	OFF	13 ms	ON	ON	OFF	ON	5 ms	ON	ON	OFF	OFF	810 us	ON	ON	OFF	ON	360 us
OFF	OFF	ON	OFF	12 ms	OFF	OFF	ON	ON	4 ms	OFF	OFF	ON	OFF	740 us	OFF	OFF	ON	ON	290 us
ON	OFF	ON	OFF	11 ms	ON	OFF	ON	ON	3 ms	ON	OFF	ON	OFF	690 us	<b>ON</b>	<b>OFF</b>	<b>ON</b>	<b>ON</b>	<b>240 us</b>
<b>OFF</b>	<b>ON</b>	<b>ON</b>	<b>OFF</b>	<b>10 ms</b>	OFF	ON	ON	ON	2 ms	OFF	ON	ON	OFF	640 us	OFF	ON	ON	ON	190 us
ON	ON	ON	OFF	9 ms	ON	ON	ON	ON	1 ms	ON	ON	ON	OFF	590 us	ON	ON	ON	ON	140 us

**DS4**  
 Via Giardini 32  
 24066 Pedrengo  
 BERGAMO  
 Italy

Title PULSE ADJUST

Document Number  
**PULSE2**

Date: Tuesday, May 02, 2017

Rev  
 2.0

Sheet 2 of 2