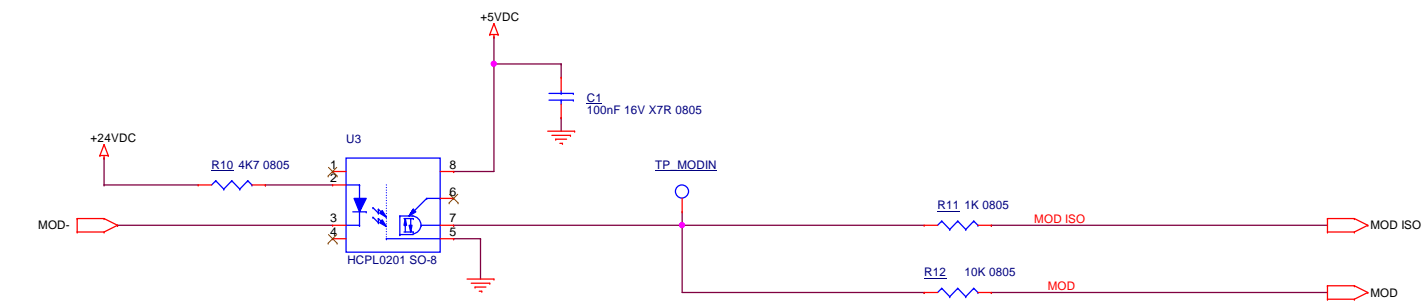
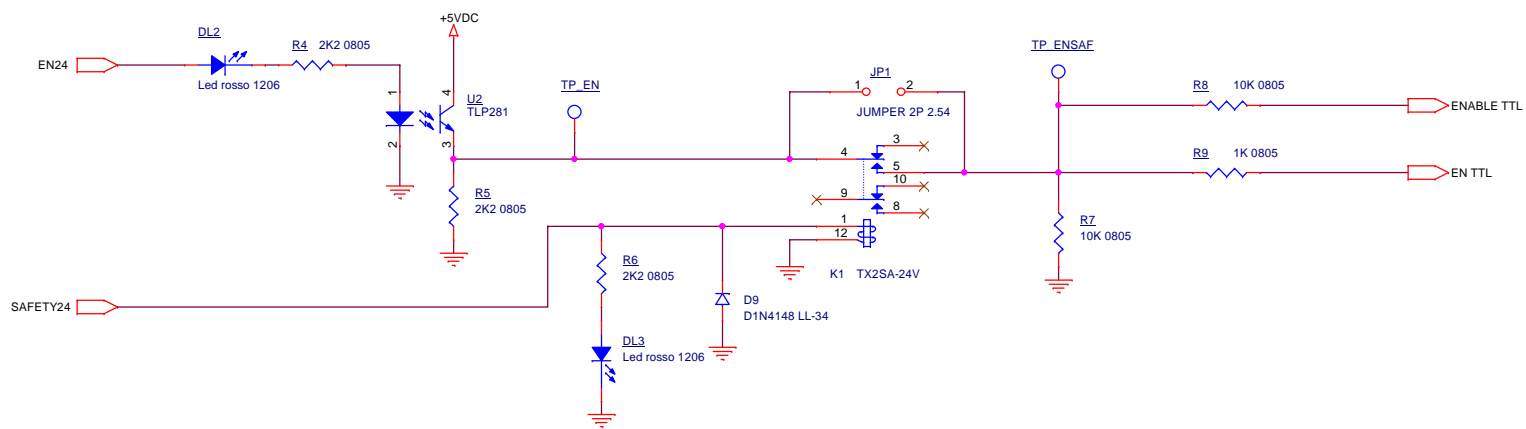
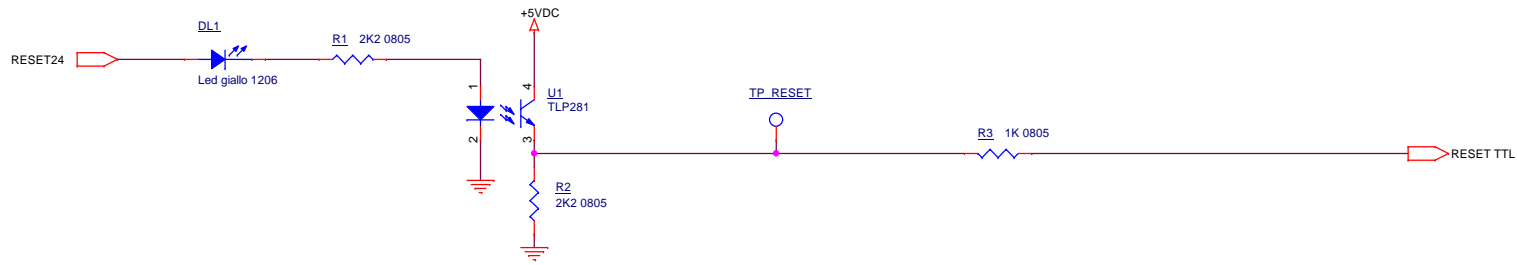
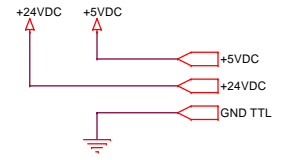
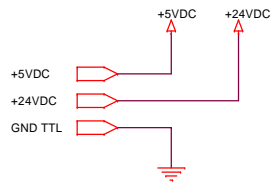


DS4
 Via Giardini 32
 24066 Pedrengo
 BERGAMO
 Italy

Title PULSE ADJUST

Date: Monday, July 31, 2017	Document Number	Rev 3.0
-----------------------------	-----------------	---------

Sheet 1 of 4



DS4
 Via Giardini 32
 24066 Pedrengo
 BERGAMO
 Italy

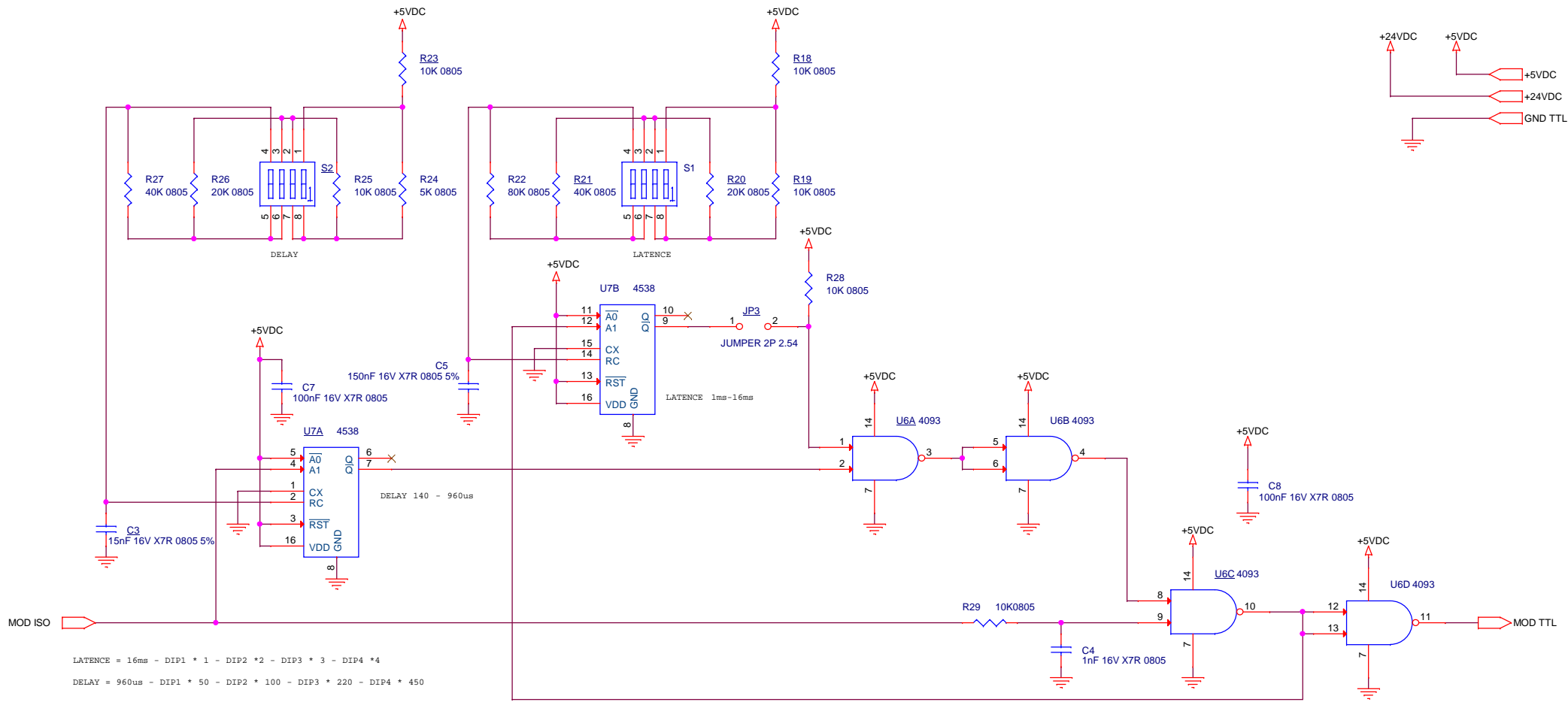
Title PULSE ADJUST

Document Number
INPUT - OUTPUT

Date: Thursday, July 27, 2017

Rev 3.0

Sheet 2 of 4



LATENCE = 16ms - DIP1 * 1 - DIP2 * 2 - DIP3 * 3 - DIP4 * 4
 DELAY = 960us - DIP1 * 50 - DIP2 * 100 - DIP3 * 220 - DIP4 * 450

DIP L					DIP D				
1	2	3	4	LATENCY	1	2	3	4	LATENCY
OFF	OFF	OFF	OFF	16 ms	OFF	OFF	OFF	ON	8 ms
ON	OFF	OFF	OFF	15 ms	ON	OFF	OFF	ON	7 ms
OFF	ON	OFF	OFF	14 ms	OFF	ON	OFF	ON	6 ms
ON	ON	OFF	OFF	13 ms	ON	ON	OFF	ON	5 ms
OFF	OFF	ON	OFF	12 ms	OFF	OFF	ON	ON	4 ms
ON	OFF	ON	OFF	11 ms	ON	OFF	ON	ON	3 ms
OFF	ON	ON	OFF	10 ms	OFF	ON	ON	ON	2 ms
ON	ON	ON	OFF	9 ms	ON	ON	ON	ON	1 ms

DIP L					DIP D				
1	2	3	4	LATENCY	1	2	3	4	LATENCY
OFF	OFF	OFF	OFF	960 us	OFF	OFF	OFF	ON	510 us
ON	OFF	OFF	OFF	910 us	ON	OFF	OFF	ON	460 us
OFF	ON	OFF	OFF	860 us	OFF	ON	OFF	ON	410 us
ON	ON	OFF	OFF	810 us	ON	ON	OFF	ON	360 us
OFF	OFF	ON	OFF	740 us	OFF	OFF	ON	ON	290 us
ON	OFF	ON	OFF	690 us	ON	OFF	ON	ON	240 us
OFF	ON	ON	OFF	640 us	OFF	ON	ON	ON	190 us
ON	ON	ON	OFF	590 us	ON	ON	ON	ON	140 us

DS4
 Via Giardini 32
 24066 Pedrengo
 BERGAMO
 Italy

Title PULSE ADJUST

Document Number	Rev
PWM CONTROL	3.0

Date: Tuesday, October 17, 2017 Sheet 4 of 4