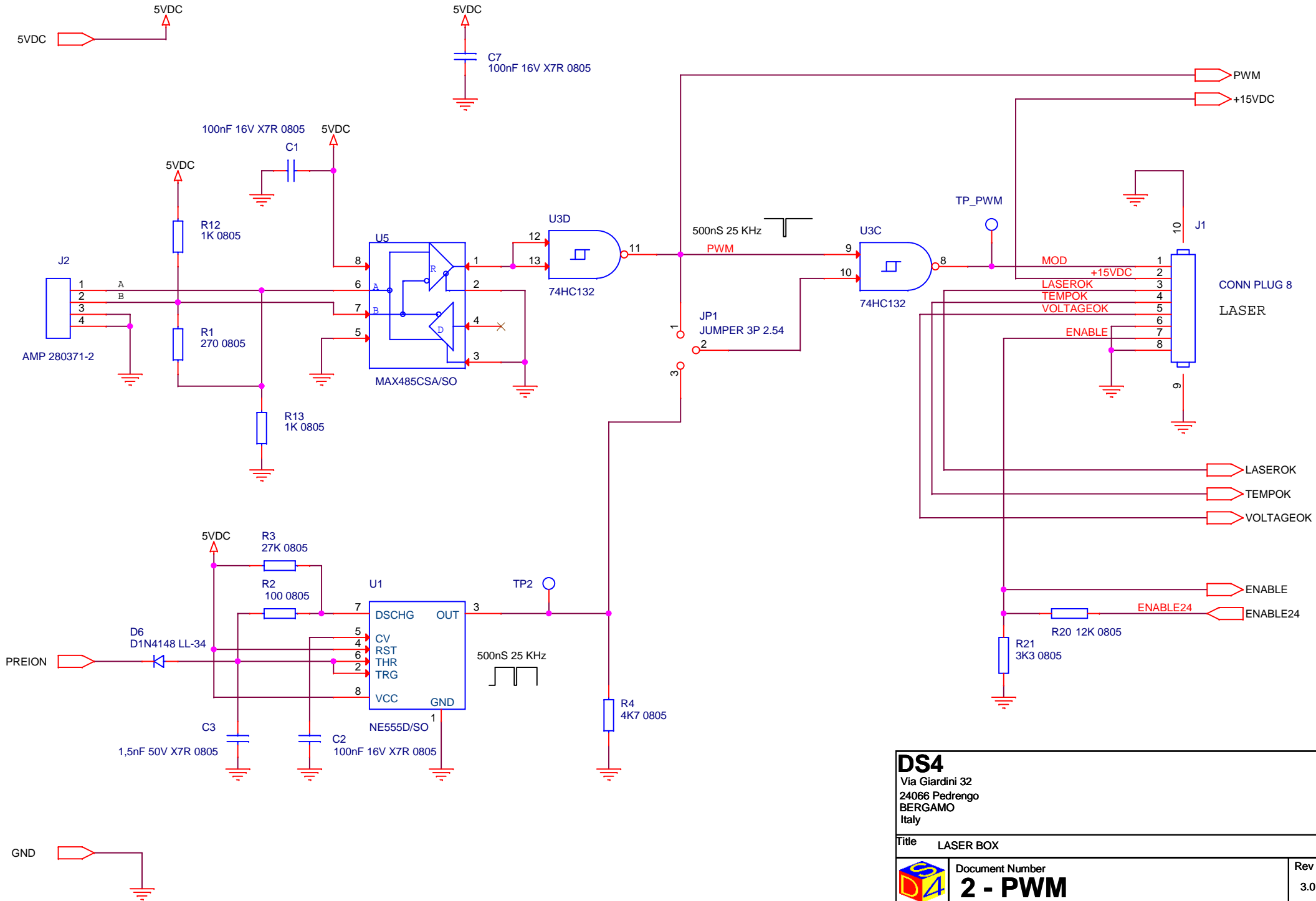


<b>DS4</b> Via Giardini 32 24066 Pedrengo BERGAMO Italy		
Title LASER BOX		
Document Number <b>1 - POWER</b>		Rev 3.0
Date: Tuesday, October 06, 2015		Sheet 1 of 4

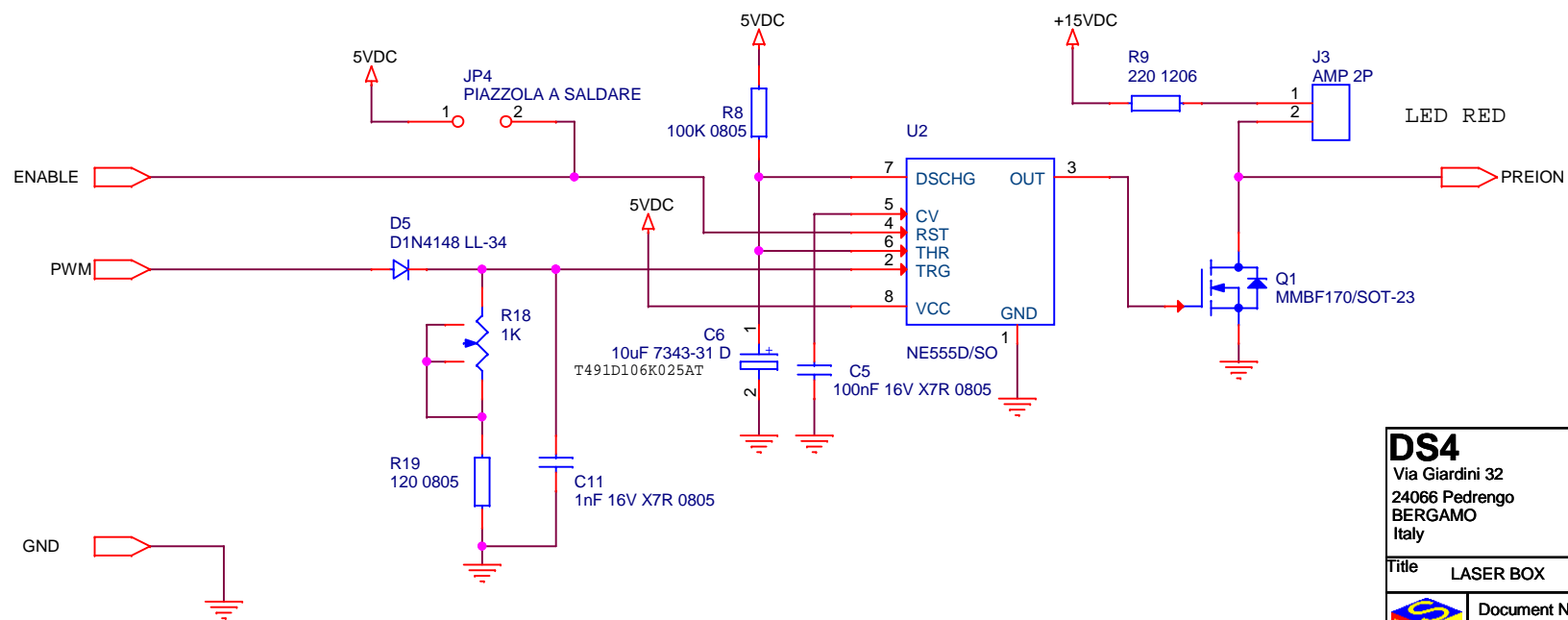
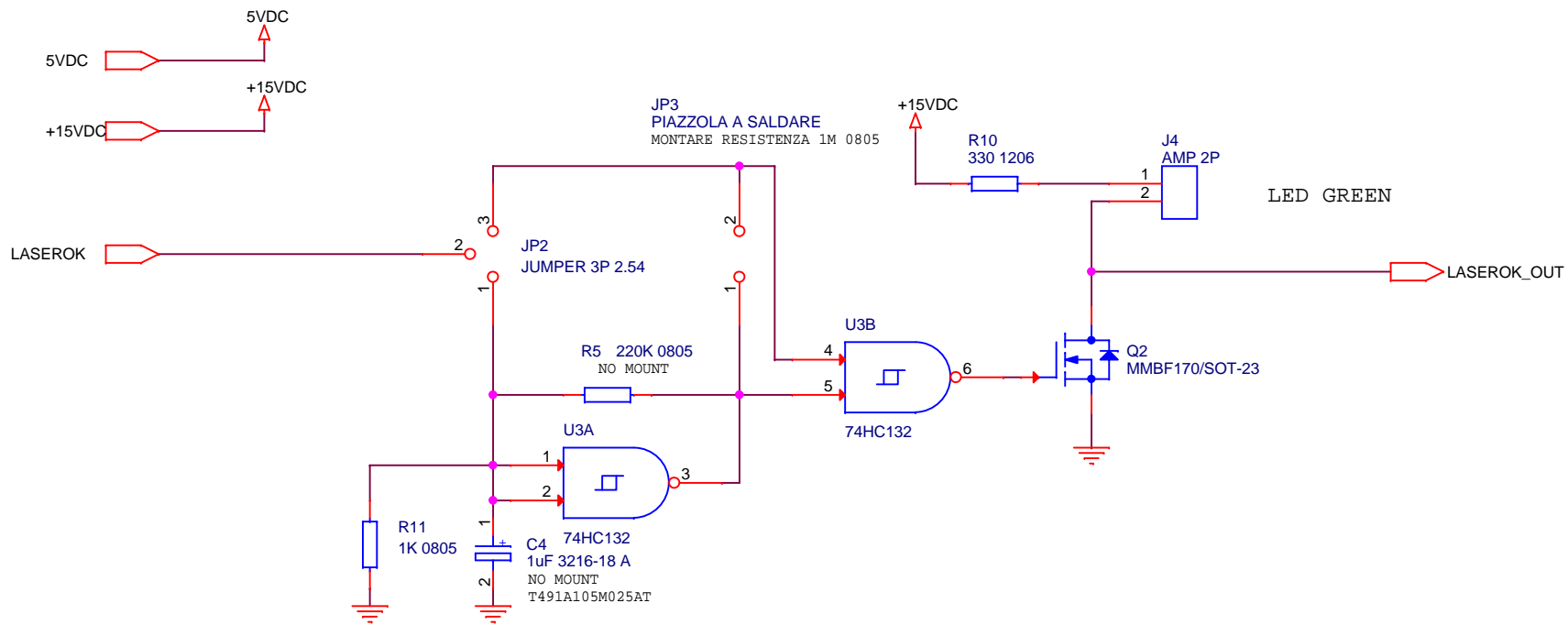



**DS4**  
 Via Giardini 32  
 24066 Pedrengo  
 BERGAMO  
 Italy

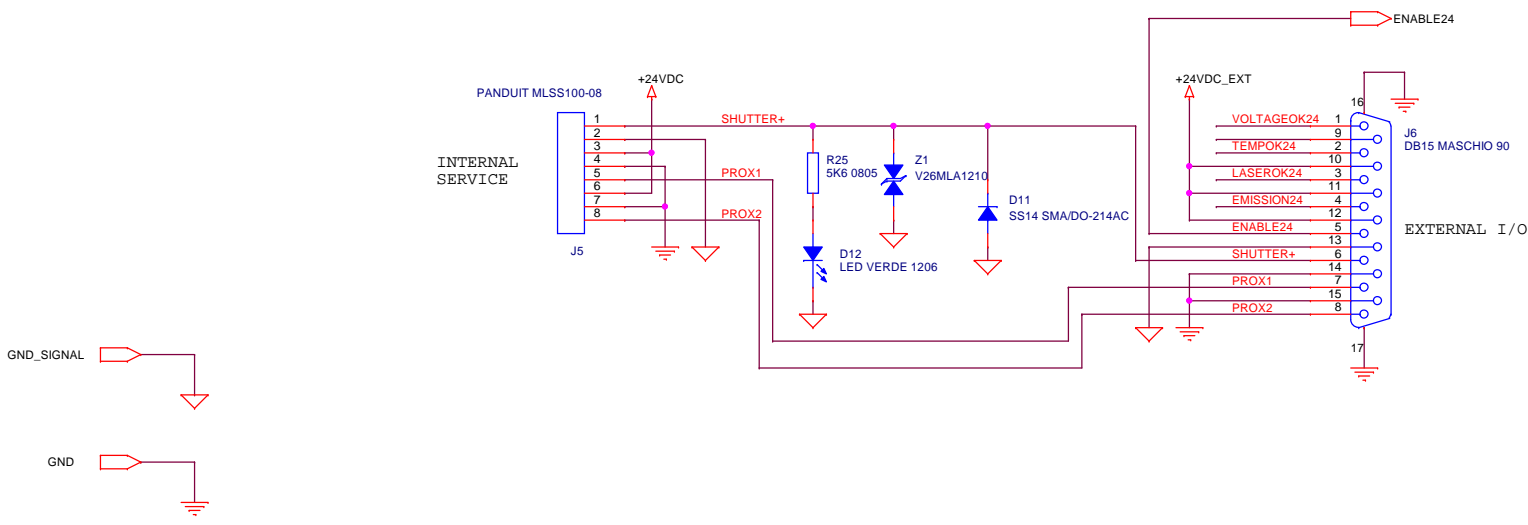
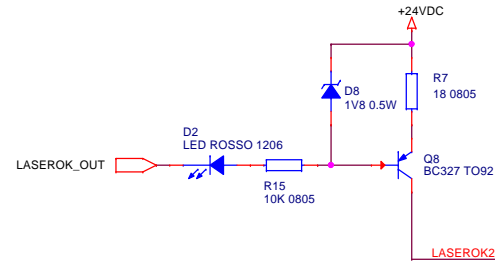
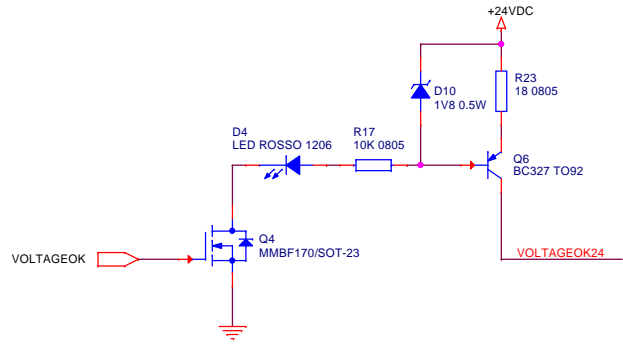
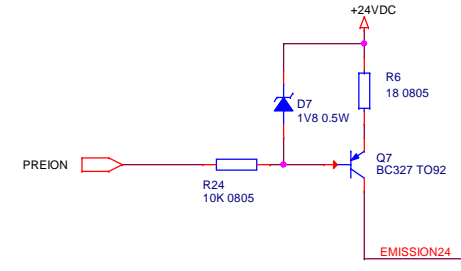
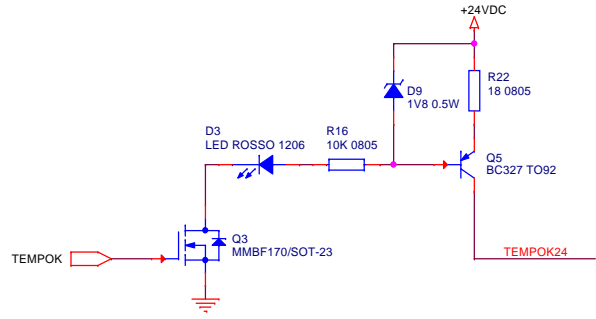
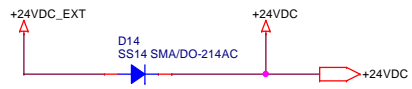
Title LASER BOX

Document Number **2 - PWM** Rev 3.0

Date: Tuesday, October 06, 2015 Sheet 2 of 4



<b>DS4</b> Via Giardini 32 24066 Pedrengo BERGAMO Italy		
Title LASER BOX		Rev 3.0
 Document Number <b>3 - EXTERNAL LED</b>		
Date: Tuesday, October 06, 2015	Sheet 3 of 4	



**DS4**  
Via Giardini 32  
24066 Pedrengo  
BERGAMO  
Italy

Title: LASER BOX

Document Number: **4 - OUTPUT**

Rev: 3.0

Date: Tuesday, October 06, 2015 Sheet 4 of 4