

VPIN	SW1	VPIN	SW1
3V	0	11V	B
4V	1	12V	9
5V	2	13V	A
6V	3	14V	B
7V	4	15V	C
8V	5	16V	D
9V	6	17V	E
10V	7	18V	F

- HOLE H1
- HOLE H2
- HOLE H3
- HOLE H4

DS4
 Via Giardini 32
 24066 Pedrengo
 BERGAMO
 Italy

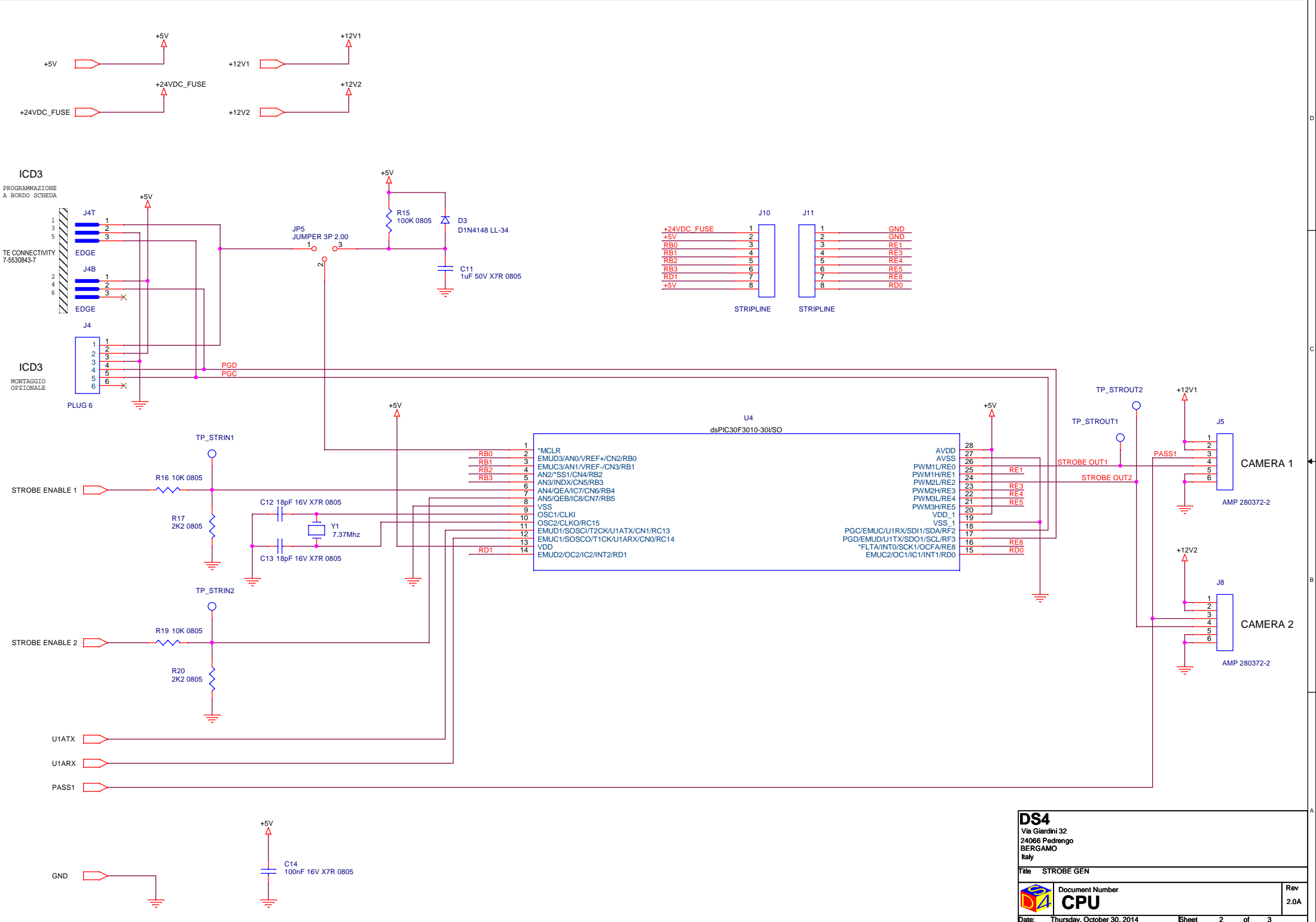
Title: STROBE GEN

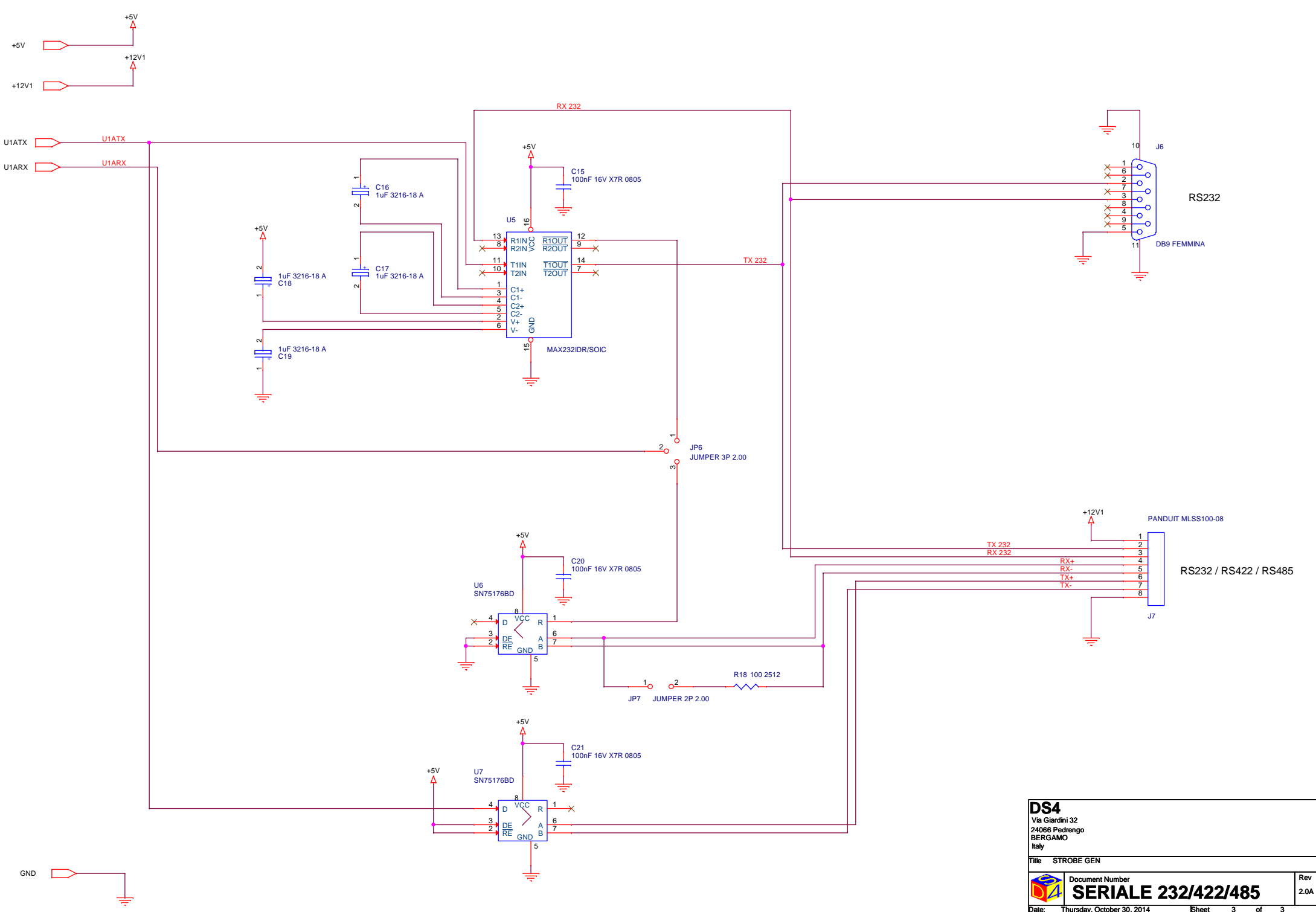
Document Number: **POWER**

Date: Thursday, October 30, 2014

Rev: 2.0A

Sheet 1 of 3





DS4
 Via Giardini 32
 24066 Pedrengo
 BERGAMO
 Italy

Title: STROBE GEN

Document Number: **SERIALE 232/422/485**

Date: Thursday, October 30, 2014

Rev: 2.0A

Sheet 3 of 3