

VPIN	SW1	VPIN	SW1
3V	0	11V	B
4V	1	12V	9
5V	2	13V	A
6V	3	14V	B
7V	4	15V	C
8V	5	16V	D
9V	6	17V	E
10V	7	18V	F

- HOLE H1
- HOLE H2
- HOLE H3
- HOLE H4

**DS4**  
 Via Giardini 32  
 24066 Pedrengo  
 BERGAMO  
 Italy

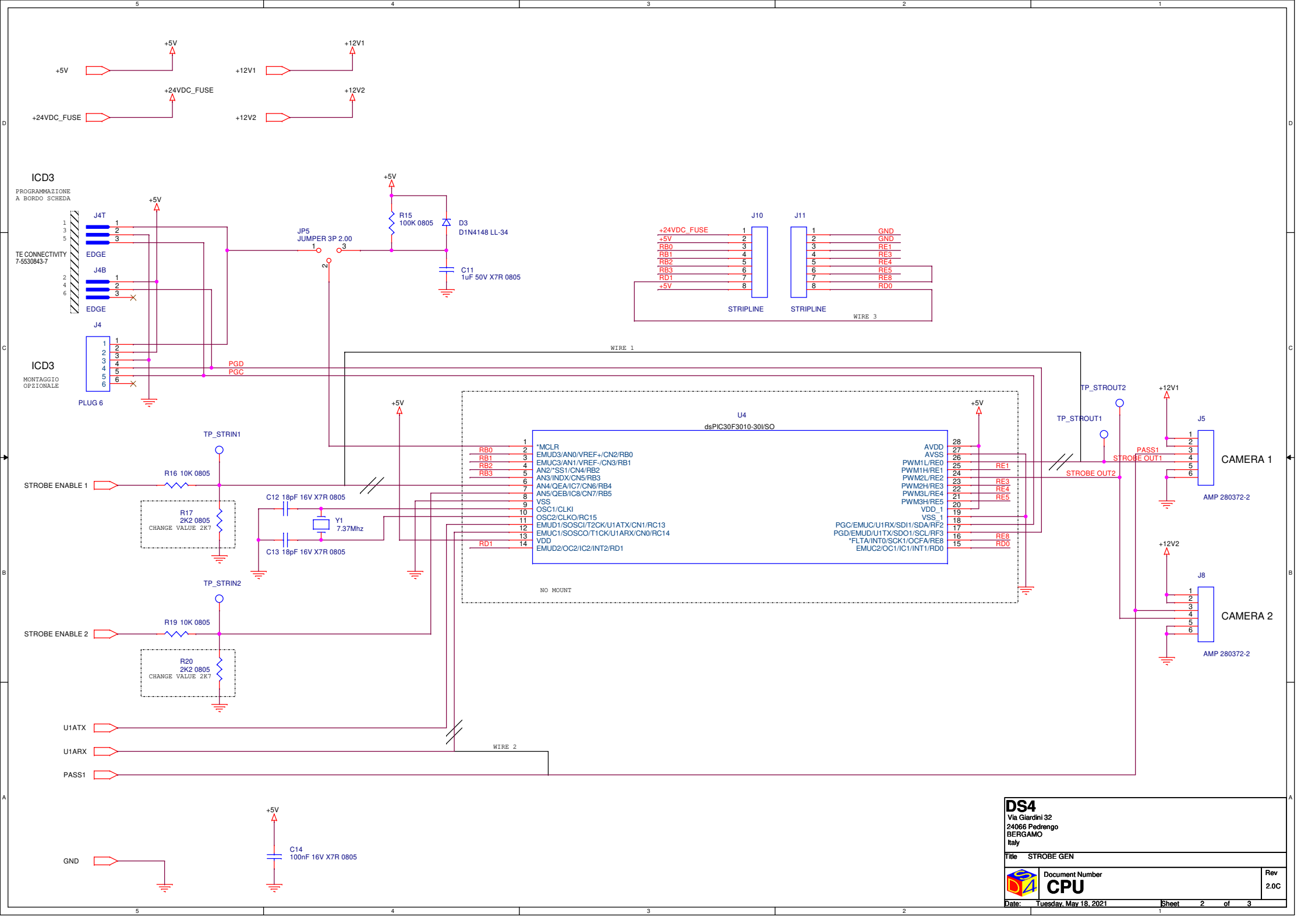
Title: STROBE GEN

Document Number: **POWER**

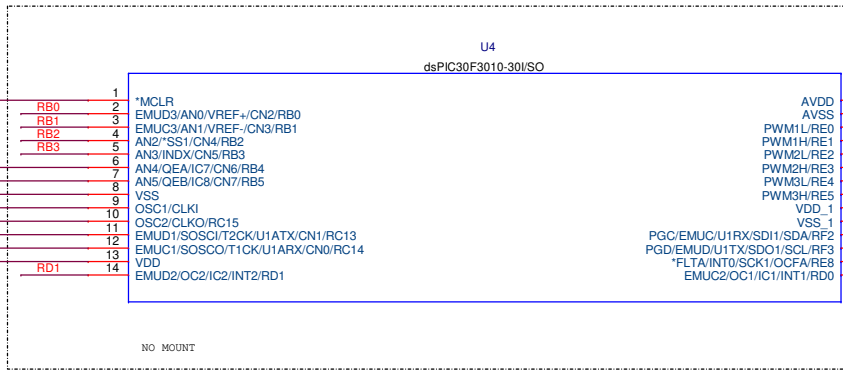
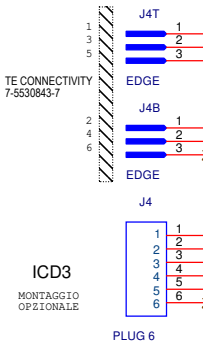
Date: Friday, March 05, 2021

Rev: 2.0C

Sheet 1 of 3



ICD3  
PROGRAMMAZIONE  
A BORDO SCHEDA



**DS4**  
Via Giardini 32  
24066 Pedrengo  
BERGAMO  
Italy

Title: STROBE GEN

Document Number: **CPU**

Date: Tuesday, May 18, 2021

Sheet: 2 of 3

Rev: 2.0C

